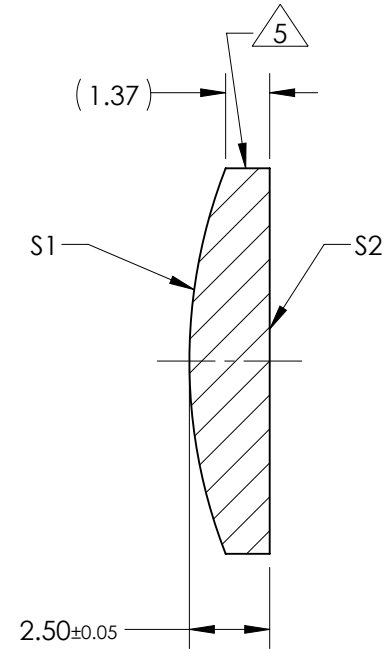
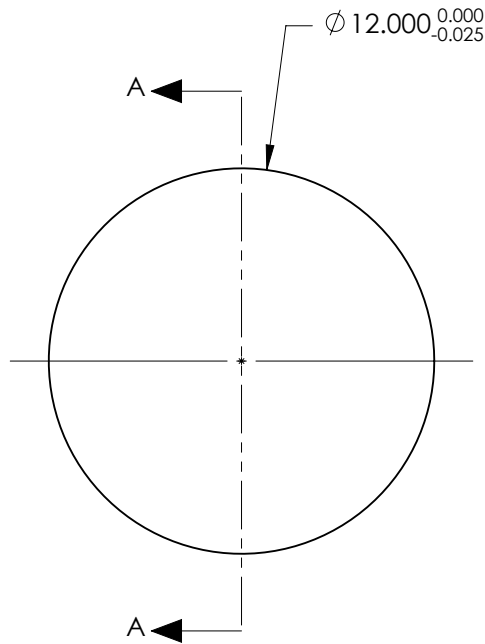


NOTES:

1. SUBSTRATE:  
CORNING: FUSED SILICA 458/678
2. ROHS COMPLIANT
3. CENTERING TOLERANCE (AT 587.6nm):  
BEAM DEVIATION (HALF ANGLE): <1 ARCMIN
4. COATING (APPLY ACROSS COATING APERTURE)  
S1 & S2: 1550nm V-COAT  
R(ABS) < 0.25% @ 1550nm @ 0° AOI
5. FINE GRIND SURFACE
6. POWER, IRREGULARITY, AND SURFACE QUALITY SPECIFICATIONS APPLY ACROSS CLEAR APERTURE
7. FOCAL LENGTH (EFL): 36.00mm ±1%  
BACK FOCAL LENGTH (BFL): 34.29mm
8. PROTECTIVE BEVEL AS NEEDED
9. DESIGN WAVELENGTH: 1550nm



SECTION A-A

**FOR INFORMATION ONLY:  
DO NOT MANUFACTURE  
PARTS TO THIS DRAWING**

|                         | S1         | S2         |
|-------------------------|------------|------------|
| SHAPE                   | CONVEX     | PLANO      |
| RADIUS                  | 16.51      | INFINITY   |
| SURFACE QUALITY         | 40 - 20    | 40 - 20    |
| MIN CLEAR APERTURE      | ∅ 11.00    | ∅ 11.00    |
| MIN COATING APERTURE    | ∅ 11.00    | ∅ 11.00    |
| POWER AT 632.8nm        | 3.00 RINGS | 3.00 RINGS |
| IRREGULARITY AT 632.8nm | 0.50 RINGS | 0.50 RINGS |

SPECIFICATIONS SUBJECT TO CHANGE WITHOUT NOTICE  
DIMENSIONS ARE FOR REFERENCE ONLY

**EO**® Edmund Optics®

|                        |    |        |  |
|------------------------|----|--------|--|
| THIRD ANGLE PROJECTION |    | TITLE  | 12mm Dia. x 36mm FL 1550nm V-Coat, UV PCX Lens |
| ALL DIMS IN            | mm | DWG NO | 34159  |
|                        |    |        | SHEET 1 OF 1                                   |