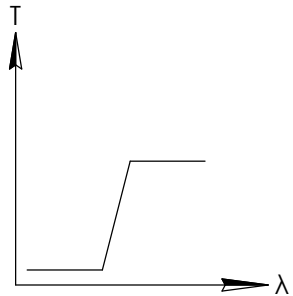
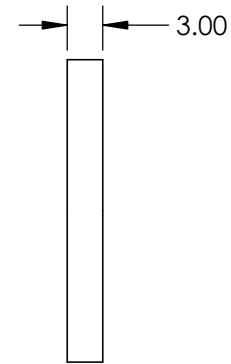
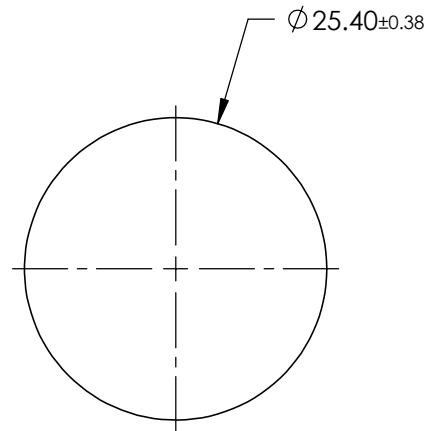
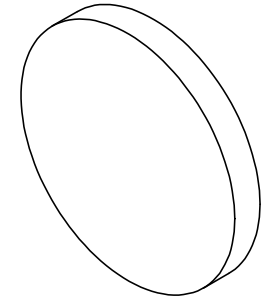


**FOR INFORMATION ONLY:  
DO NOT MANUFACTURE  
PARTS TO THIS DRAWING**



LONGPASS FILTER

SPECIFICATIONS SUBJECT TO CHANGE WITHOUT NOTICE  
DIMENSIONS ARE FOR REFERENCE ONLY

REV. A	VALUE
SHAPE	PLANO
SPECTRAL TRANSMITTANCE $\pm_{ip}(\%)$	92
PASSBAND LIMIT $\lambda_{p1}$ (nm)	520
CUT-OFF POSITION $\lambda_c$ (nm)	435 $\pm$ 6
STOPBAND LIMIT $\lambda_s$ (nm)	370
WAVELENGTH	VIS
BEVEL	PROTECTIVE AS NEEDED



ALL DIMS IN

mm

TITLE

$\varnothing 25.4\text{mm}$ , GG-435 LONGPASS FILTER

DWG NO

32752

SHEET  
1 OF 1