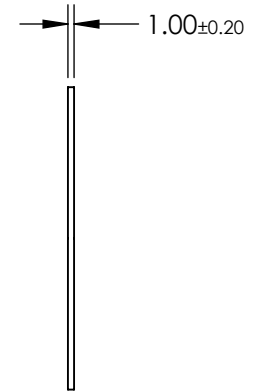
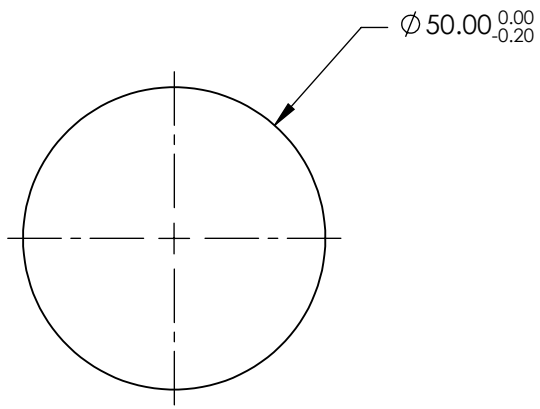
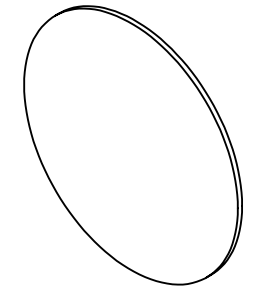
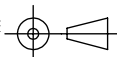


**FOR INFORMATION ONLY:
DO NOT MANUFACTURE
PARTS TO THIS DRAWING**




SPECIFICATIONS SUBJECT TO CHANGE WITHOUT NOTICE
DIMENSIONS ARE FOR REFERENCE ONLY

	S1	S2
SHAPE	PLANO	PLANO
FULL WIDTH HALF MAX (FWHM)	0.11	0.11
SURFACE QUALITY	60-40	60-40
CLEAR APERTURE	Ø21	Ø21
BEVEL	PROTECTED AS NEEDED	PROTECTED AS NEEDED

THIRD ANGLE PROJECTION 

ALL DIMS IN mm

 **Edmund Optics®**

TITLE: Ø50mm, 10.6µm x 0.11nm, IR BANDPASS FILTER

DWG NO: 33146

SHEET 1 OF 1