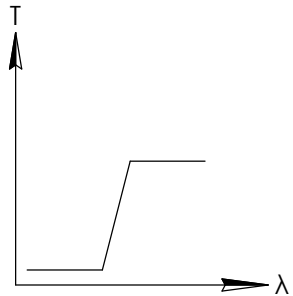
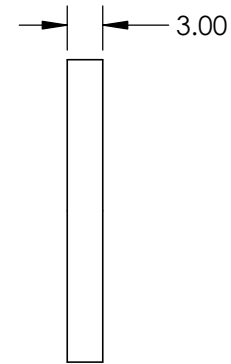
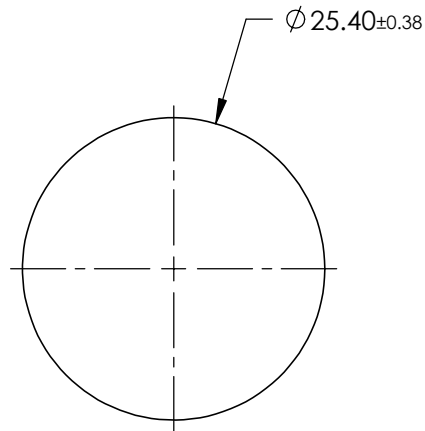
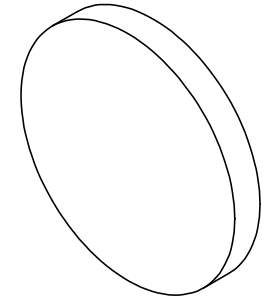


**FOR INFORMATION ONLY:
DO NOT MANUFACTURE
PARTS TO THIS DRAWING**



LONGPASS FILTER

SPECIFICATIONS SUBJECT TO CHANGE WITHOUT NOTICE
DIMENSIONS ARE FOR REFERENCE ONLY

| REV. A | VALUE |
|---------------------------------------|----------------------|
| SHAPE | PLANO |
| SPECTRAL TRANSMITTANCE $\pm_{ip}(\%)$ | 92 |
| PASSBAND LIMIT λ_{p1} (nm) | 480 |
| CUT-OFF POSITION λ_c (nm) | 395 \pm 6 |
| STOPBAND LIMIT λ_s (nm) | 340 |
| WAVELENGTH | UV |
| BEVEL | PROTECTIVE AS NEEDED |



ALL DIMS IN

mm

TITLE

$\varnothing 25.4\text{mm}$, GG-395 LONGPASS FILTER

DWG NO

46055

SHEET
1 OF 1