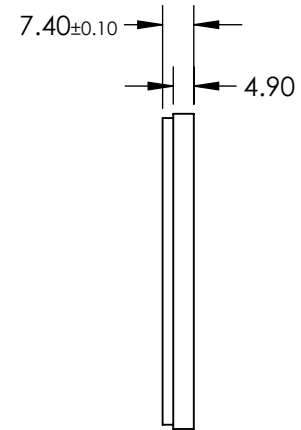
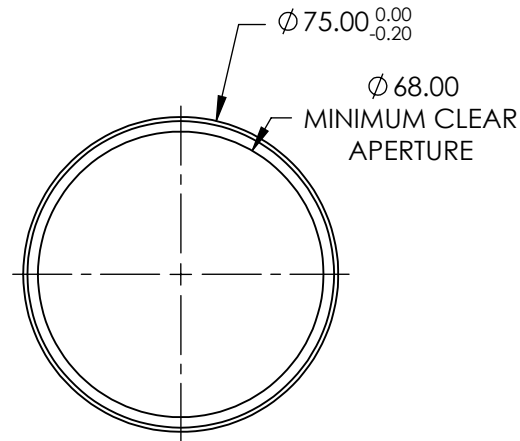
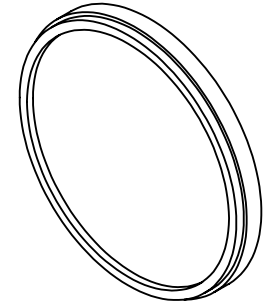


**FOR INFORMATION ONLY:  
DO NOT MANUFACTURE  
PARTS TO THIS DRAWING**



SPECIFICATIONS SUBJECT TO CHANGE WITHOUT NOTICE  
DIMENSIONS ARE FOR REFERENCE ONLY

**EO**® **Edmund Optics**®

	S1	S2	THIRD ANGLE PROJECTION		TITLE	M72 X 0.75, MOUNTED THREADED, GREEN FILTER	
SHAPE	PLANO	PLANO	ALL DIMS IN	mm	DWG NO	46536	SHEET 1 OF 1
SURFACE QUALITY	80-50	80-50					
BEVEL	PROTECTIVE AS NEEDED	PROTECTIVE AS NEEDED					