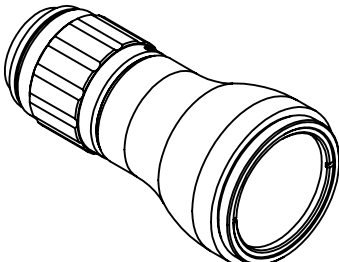
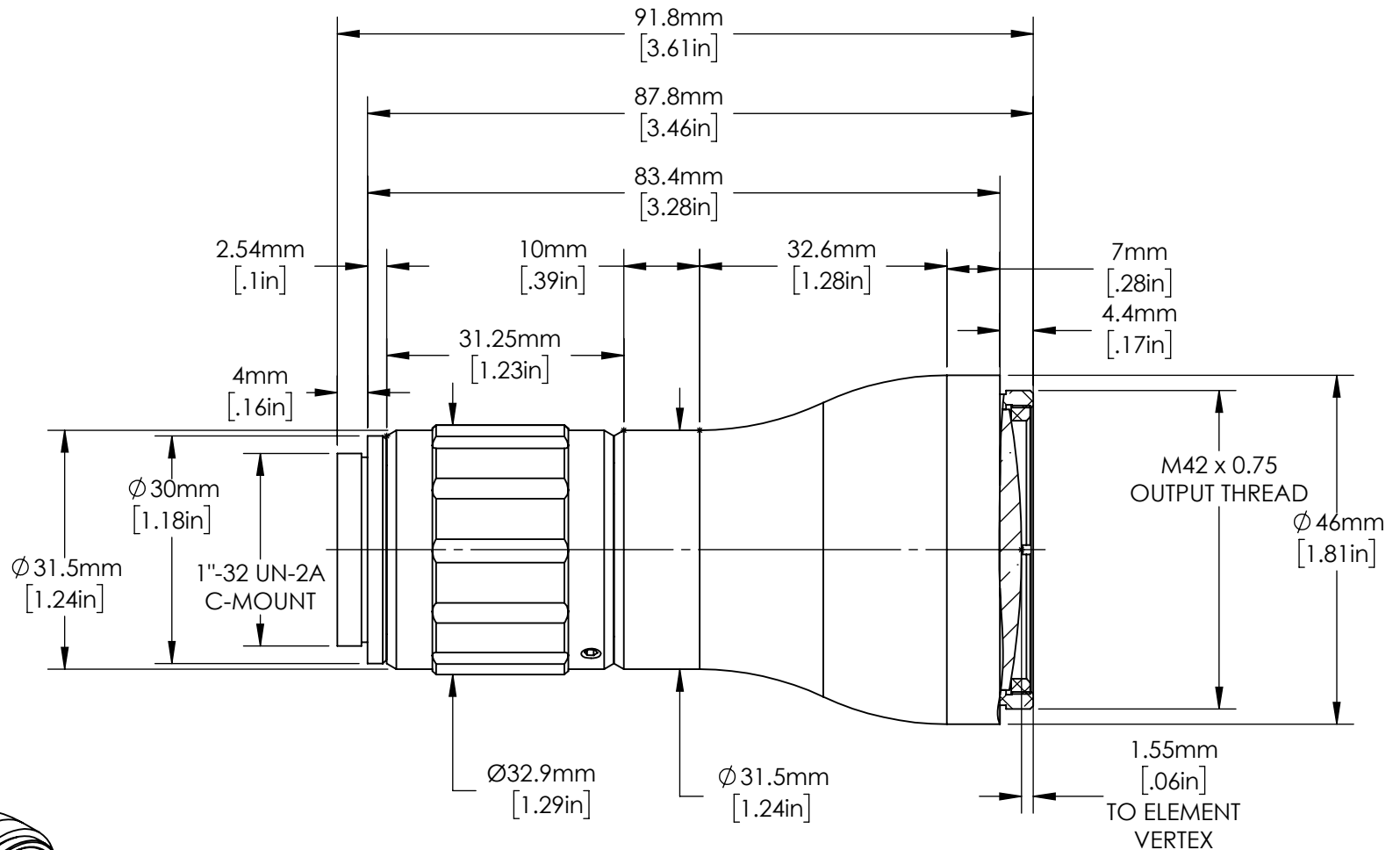


**FOR INFORMATION ONLY:
DO NOT MANUFACTURE
PARTS TO THIS DRAWING**

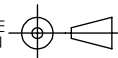


SPECIFICATIONS SUBJECT TO CHANGE WITHOUT NOTICE
DIMENSIONS ARE FOR REFERENCE ONLY

EO® Edmund Optics®

EXPANSION POWER	3X
DESIGN WAVELENGTH	500nm - 1100nm
CENTER WAVELENGTH	785nm \pm 5nm
ENTRANCE BEAM MAX DIAMETER	10.00mm
INPUT APERTURE DIAMETER	11.00mm

THIRD ANGLE PROJECTION



TITLE	3X, YAG BBR Draconis™ Broadband Beam Expander	
DWG NO	35066	SHEET 1 OF 1

ALL DIMS IN

mm