

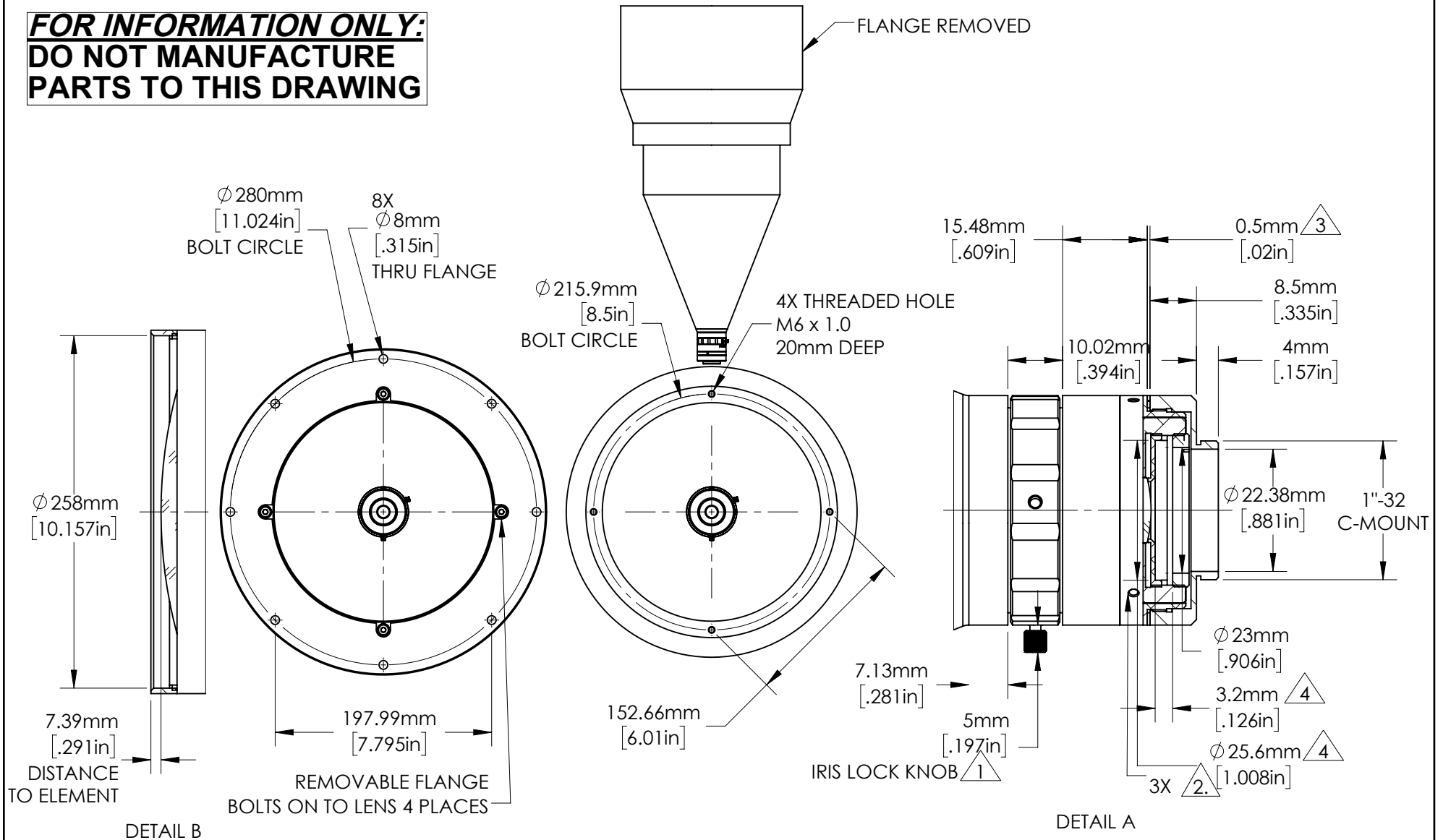
FOR INFORMATION ONLY:
DO NOT MANUFACTURE
PARTS TO THIS DRAWING

SPECIFICATIONS SUBJECT TO CHANGE
 WITHOUT NOTICE.
 DIMENSIONS ARE FOR REFERENCE ONLY.
 FOR DETAILED SPECIFICATIONS,
 PLEASE REFER TO THE SPEC SHEET.

EO® Edmund Optics®

TITLE	0.045X, 2/3" C-Mount TitanTL™ Telecentric Lens		
DWG NO	34008		SHEET 1 OF 2

**FOR INFORMATION ONLY:
DO NOT MANUFACTURE
PARTS TO THIS DRAWING**



NOTES:

1. INCLUDES OPTIONAL RECESSED SET SCREW.
2. M2 SET SCREWS ALLOW LENS TO ROTATE ABOUT C-MOUNT.
3. FACTORY INSTALLED SPACER(S).
4. SPACE FOR A SEPARATELY PURCHASED FILTER.

SPECIFICATIONS SUBJECT TO CHANGE WITHOUT NOTICE
DIMENSIONS ARE FOR REFERENCE ONLY

Edmund Optics®

TITLE 0.045X, 2/3" C-Mount TitanTL™ Telecentric Lens

DWG NO 34008

SHEET
2 OF 2

