

NOTES:

1. SUBSTRATE MATERIAL:  
N-BK7

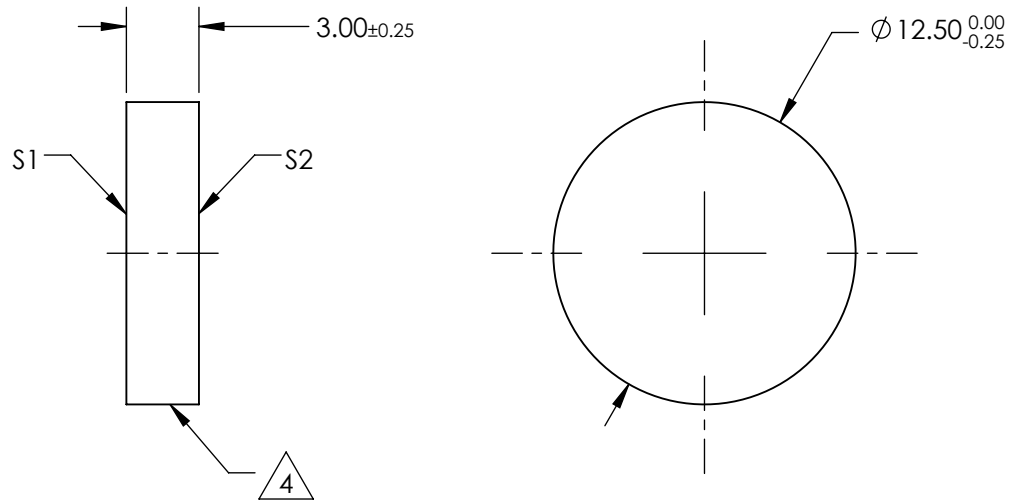
2. ROHS COMPLIANT

3. COATING (APPLY ACROSS CLEAR APERTURE)

S1: 20% R  $\pm 5\%$  @ 550nm  
80% T  $\pm 5\%$  @ 550nm

S2: AR R(avg)  $\leq 1\%$ , R(abs)  $\leq 2\%$  @ 400 - 700nm

4. CUT WITH 0.25mm MAXIMUM EDGE CHIP



**FOR INFORMATION ONLY:  
DO NOT MANUFACTURE  
PARTS TO THIS DRAWING**

SPECIFICATIONS SUBJECT TO CHANGE WITHOUT NOTICE  
DIMENSIONS ARE FOR REFERENCE ONLY

REV. A	S1	S2				
SHAPE	PLANO	PLANO				
ANGLE OF INCIDENCE	45°	45°				
SURFACE QUALITY	60-40	60-40				
SURFACE FLATNESS	1λ	1λ				
			THIRD ANGLE PROJECTION		TITLE	Ø12.5mm, 20 R/80 T, PLATE BEAMSPLITTER
			ALL DIMS IN	mm	DWG NO	68363
						SHEET 1 OF 1

**EO**® Edmund Optics®