

NOTES:

1. SUBSTRATE MATERIAL:
FUSED SILICA

2. CENTERING TOLERANCE (AT 532nm):

S1 & S2 BEAM DEVIATION TO BE <3 ARCMIN
S4 & S5 BEAM DEVIATION TO BE <3 ARCMIN

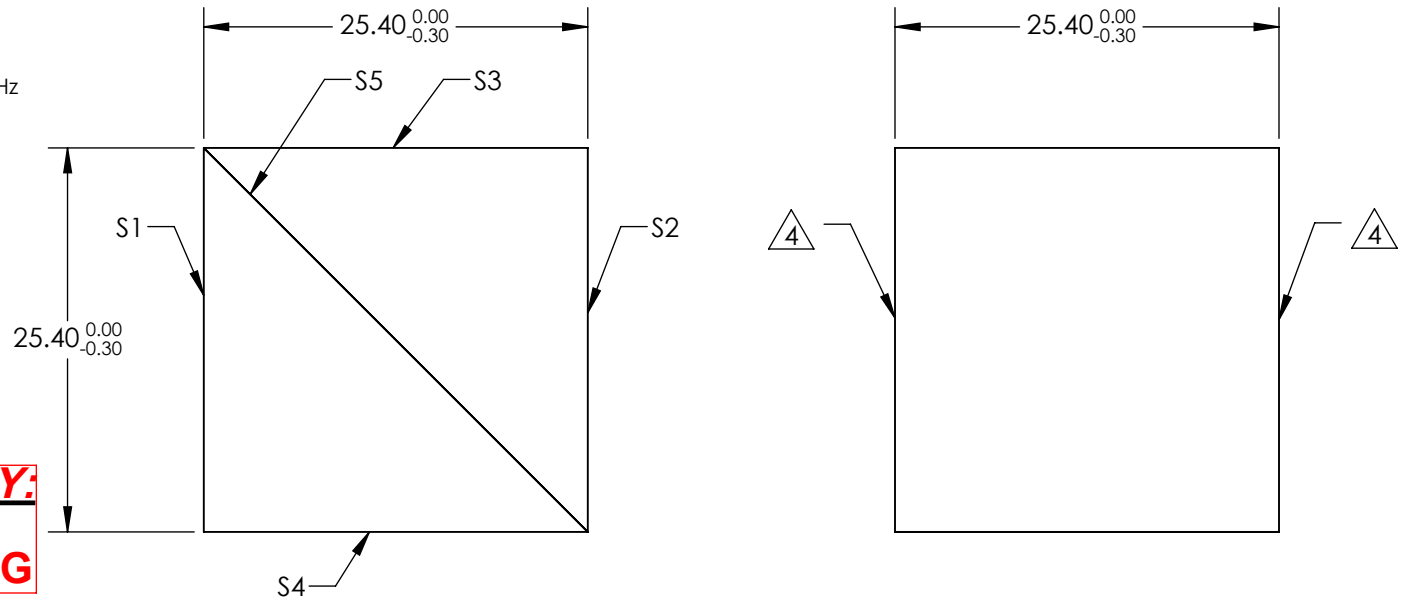
3. COATING (APPLY ACROSS CLEAR APERTURE)

S1, S2, S3 & S4: NONE
S5: EXTINCTION RATIO: TP/TS >1000:1 @ 532nm
TRANSMISSION: TP >97% @ 532nm

DAMAGE THRESHOLD, PULSED:
Typical: 20 J/cm² @ 1064nm 10ns, 20Hz

△ 4 FINE GROUND SURFACE

5. RoHS COMPLIANT

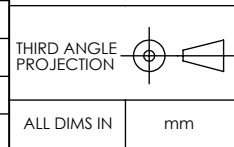


**FOR INFORMATION ONLY:
DO NOT MANUFACTURE
PARTS TO THIS DRAWING**

SPECIFICATIONS SUBJECT TO CHANGE WITHOUT NOTICE
DIMENSIONS ARE FOR REFERENCE ONLY

EO® Edmund Optics®

	VALUE
SURFACE FLATNESS	$\lambda/6$
SURFACE QUALITY	40-20
MIN CLEAR APERTURE	22.86 x 22.86
BEVEL MAX FACE	PROTECTIVE AS NEEDED



TITLE	25.4mm x 532nm, HIGH ENERGY POLARIZING CUBE BEAMSPLITTER		
DWG NO	33318	SHEET	1 OF 1