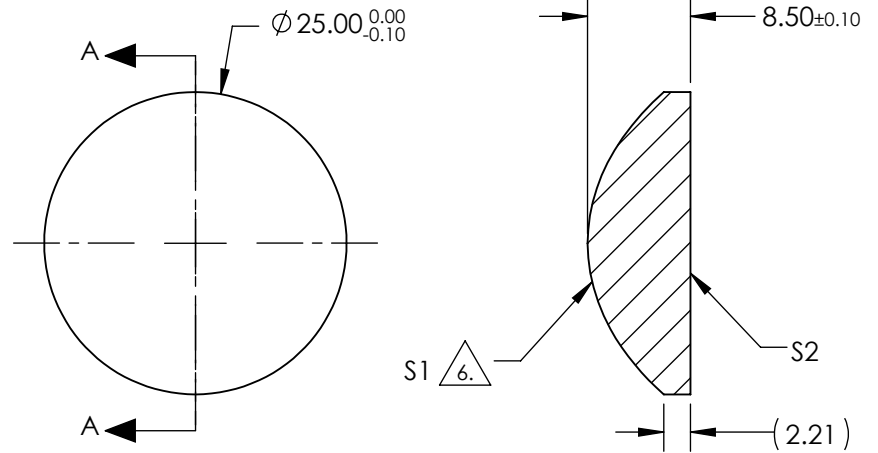


NOTES:

1. SUBSTRATE: FUSED SILICA
2. COATING (APPLY ACROSS CLEAR APERTURE)
 S1: R(ABS) ≤0.25% @ 1064nm
 S2: R(ABS) ≤0.25% @ 1064nm
3. EDGES: FINE GROUND
4. CENTERING: <3-5 ARCMIN
5. ASPHERE FIGURE ERROR: 0.75 μm RMS

△ ASPHERIC SURFACE DESCRIBED BY (REF. COEFFICIENT TABLE)

$$Z_{ASPH}(Y) = \frac{(\frac{1}{RADIUS}) * Y^2}{1 + \sqrt{1 - (1+k) * (\frac{1}{RADIUS})^2 * Y^2}} + D * Y^2 + E * Y^4 + F * Y^6 + G * Y^8 + H * Y^{10} + J * Y^{12} + L * Y^{14}$$



SECTION A-A

**FOR INFORMATION ONLY:
DO NOT MANUFACTURE
PARTS TO THIS DRAWING**

SPECIFICATIONS SUBJECT TO CHANGE WITHOUT NOTICE DIMENSIONS ARE FOR REFERENCE ONLY

COEFFICIENT TABLE △ 7	
COEFFICIENT	S1
k	-2.0501907
D	0.000000E+00
E	7.1228748E-05
F	-1.0688222E-07
G	3.2884865E-10
H	-3.7743420E-13
J	0.000000E+00
L	0.000000E+00

	S1	S2	EFL @ 587.6μm	30		Edmund Optics®
SHAPE	CONVEX	PLANO	BFL @ 587.6μm	24.17		
RADIUS	6.877	INFINITY	THIRD ANGLE PROJECTION		TITLE	25mm DIA 0.42 NA, 1064nm V-COAT, ASPHERIC LENS
SURFACE QUALITY	60-40	60-40	ALL DIMS IN	mm	DWG NO	33020
CLEAR APERTURE	13.5	13.5				SHEET 1 OF 1
BEVEL MAX	PROTECTIVE AS NEEDED	PROTECTIVE AS NEEDED				