

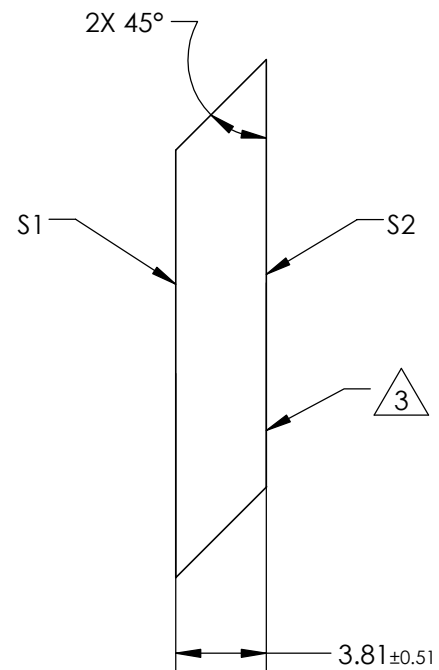
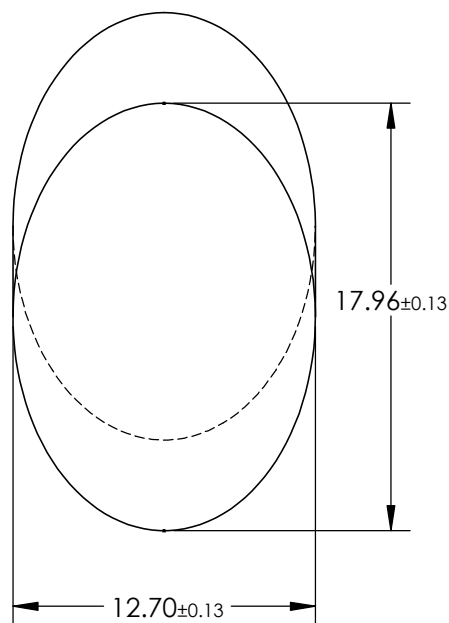
NOTES:

- 1. SUBSTRATE MATERIAL: BOROFLOAT®
- 2. COATING (APPLY ACROSS CLEAR APERTURE)

S1: R(avg) >89% @ 250 - 450nm
 R(avg) >85% @ 250 - 700nm
 S2: NONE

3. FINE GRIND SURFACE

- 4. ROHS COMPLIANT



SPECIFICATIONS SUBJECT TO CHANGE WITHOUT NOTICE
 DIMENSIONS ARE FOR REFERENCE ONLY

**FOR INFORMATION ONLY:
 DO NOT MANUFACTURE
 PARTS TO THIS DRAWING**



REV. A	S1	S2	THIRD ANGLE PROJECTION		TITLE	12.7mm, MINOR AXIS UV ENHANCED ALUMINUM ELLIPTICAL MIRROR	
SURFACE QUALITY	60-40	NA			DWG NO	43573	SHEET 1 OF 1
SURFACE FLATNESS	$\lambda/8$	NA	ALL DIMS IN	mm			
BEVEL	PROTECTIVE AS NEEDED	PROTECTIVE AS NEEDED					