

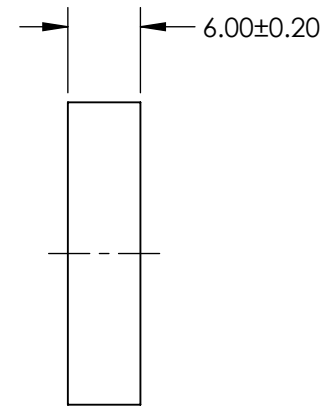
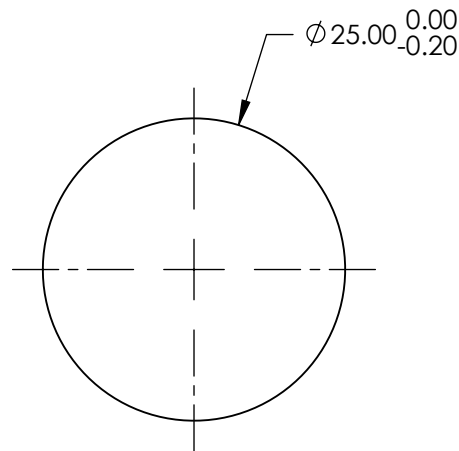
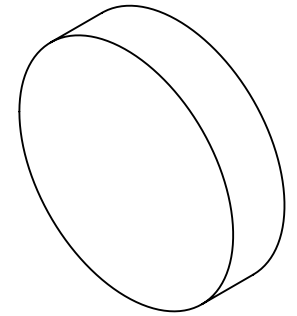
NOTES:

**FOR INFORMATION ONLY:
DO NOT MANUFACTURE
PARTS TO THIS DRAWING**

1. SUBSTRATE: Fused Silica
2. SURFACE S2 TO BE PARALLEL WITH SURFACE S1 TO WITHIN <3 arcmin
3. COATING SPECIFICATION APPLY ACROSS COATING APERTURE
S1: R(abs) >97% @ 193nm
S2: NONE

4.  FINE GRIND SURFACE

5. POWER, IRREGULARITY, AND SURFACE QUALITY SPECIFICATIONS
APPLY ACROSS CLEAR APERTURE
6. ROHS COMPLIANT



SPECIFICATIONS SUBJECT TO CHANGE WITHOUT NOTICE
DIMENSIONS ARE FOR REFERENCE ONLY

 **Edmund Optics®**

	S1	S2
SHAPE	PLANO	PLANO
SURFACE QUALITY	10-5	N/A
SURFACE FLATNESS	$\lambda/10$	N/A
BEVEL	PROTECTIVE AS NEEDED	PROTECTIVE AS NEEDED



ALL DIMS IN

mm

TITLE	25.0mm 193nm 45°, EXCIMER Laser Line Mirror		
DWG NO	47983	SHEET	1 OF 1