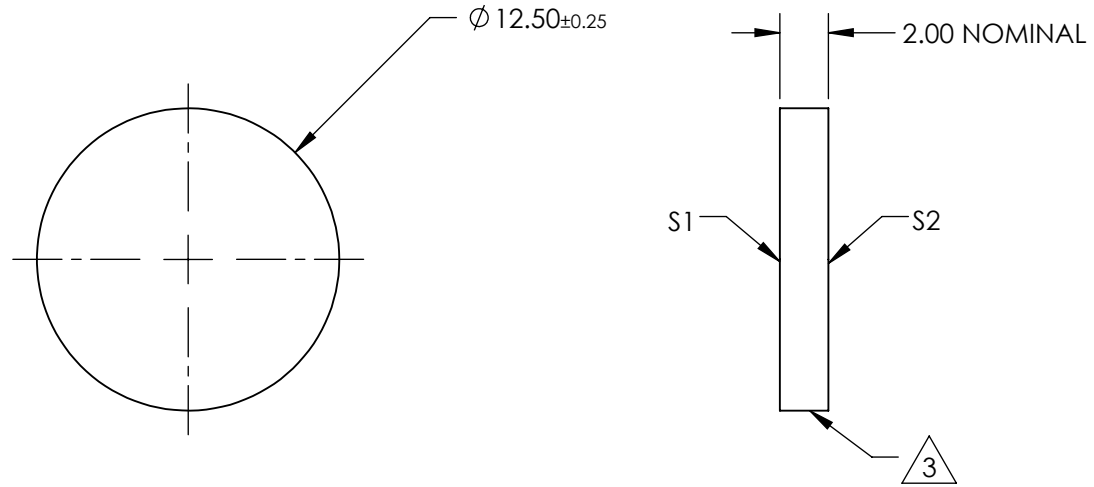
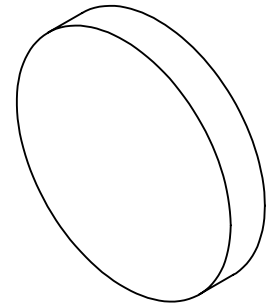


NOTES:

1. SUBSTRATE:
B270
2. COATING (APPLY ACROSS CLEAR APERTURE)
S1 & S2: R(AVG) ≤ 1.75% @ 400 - 700nm

3. FINE GRIND SURFACE

4. RoHS COMPLIANT



**FOR INFORMATION ONLY:
DO NOT MANUFACTURE
PARTS TO THIS DRAWING**

SPECIFICATIONS SUBJECT TO CHANGE WITHOUT NOTICE
DIMENSIONS ARE FOR REFERENCE ONLY

	S1	S2
SHAPE	PLANO	PLANO
SURFACE QUALITY	60-40	60-40
SURFACE FLATNESS	1λ	1λ
BEVEL	PROTECTIVE AS NEEDED	PROTECTIVE AS NEEDED



ALL DIMS IN

mm

EO® Edmund Optics®

TITLE

12.5mm DIAMETER MGF2 COATED, B270
WINDOW

DWG NO

32948

SHEET
1 OF 1