

NOTES:

1. SUBSTRATE MATERIAL:
N-BK7

2. COATING (APPLY ACROSS CLEAR APERTURE)

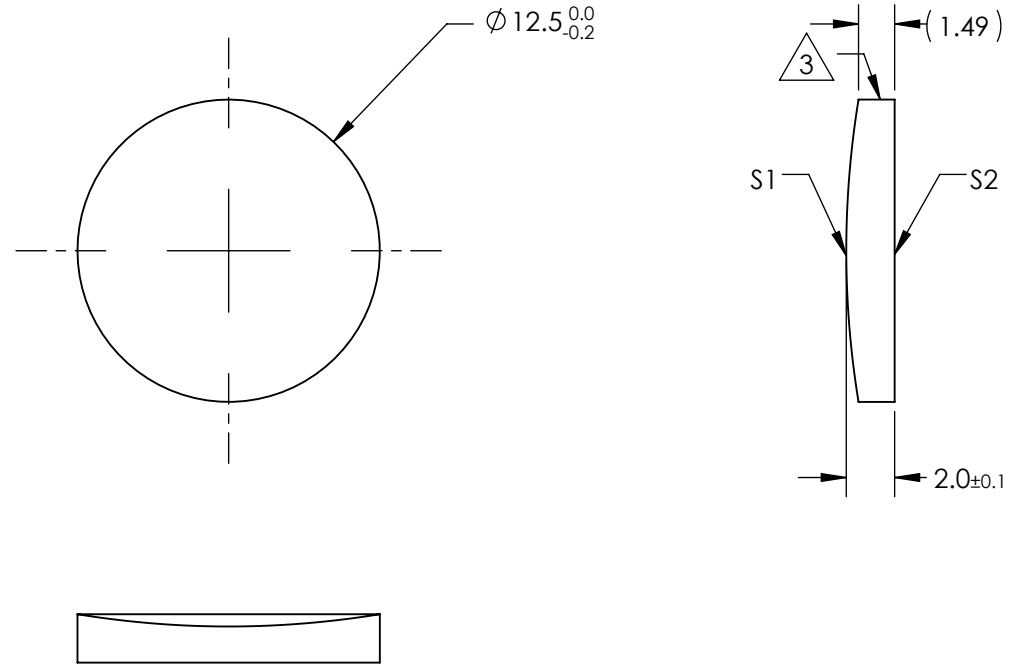
S1 & S2:
LASER V-COAT

R(abs) <0.25% @ 532nm
R(avg) <1.5% @ 495 - 570nm

3. FINE GROUND SURFACE


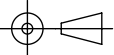
4. POWER, IRREGULARITY, AND SURFACE QUALITY SPECIFICATIONS APPLY ACROSS CLEAR APERTURE

5. RoHS COMPLIANT



**FOR INFORMATION ONLY:
DO NOT MANUFACTURE
PARTS TO THIS DRAWING**

SPECIFICATIONS SUBJECT TO CHANGE WITHOUT NOTICE
DIMENSIONS ARE FOR REFERENCE ONLY

REV. A	S1	S2	EFL	75±3%	 Edmund Optics®
SHAPE	CONVEX	PLANO	BFL	(73.68)	
RADIUS	38.76	∞	THIRD ANGLE PROJECTION 		TITLE
SURFACE QUALITY	60-40	60-40	ALL DIMS IN		mm
CLEAR APERTURE	∅ 11.50	∅ 11.50	DWG NO		33225
COATING APERTURE	∅ 11.50	∅ 11.50	SHEET		1 OF 1
BEVEL	PROTECTED AS NEEDED	PROTECTED AS NEEDED	12.5mm DIA X 75.0mm FL 532nm V-COAT, CYLINDER LENS		