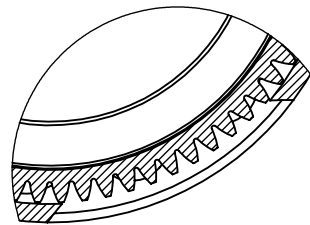
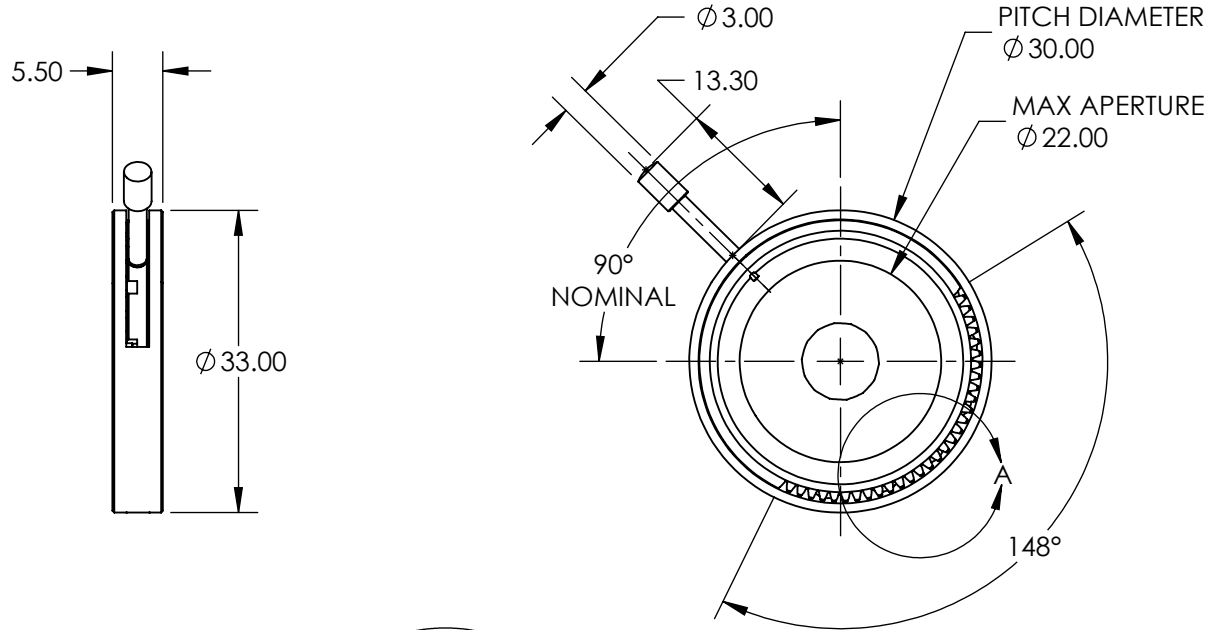
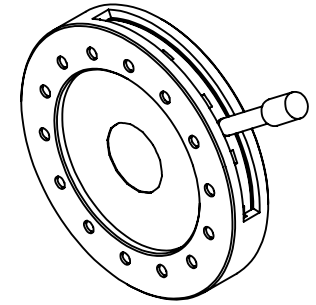


NOTES:

1. REMOVABLE LEVER: M1.7 x 0.35 THREAD
2. MATERIALS
 HOUSING: BRASS (BLACK)
 LEAVES: BLACK SPRING STEEL
 LEVER: STEEL

**FOR INFORMATION ONLY:
 DO NOT MANUFACTURE
 PARTS TO THIS DRAWING**



DETAIL A

SPECIFICATIONS SUBJECT TO CHANGE WITHOUT NOTICE
 DIMENSIONS ARE FOR REFERENCE ONLY

EO® Edmund Optics®

REV. A	VALUE	THIRD ANGLE PROJECTION	TITLE	22mm MAX APERTURE MOTORIZABLE IRIS	
MIN APERTURE	Ø1.40		DWG NO	34291	SHEET 1 OF 1
GEAR WHEEL MODULE	0.4		ALL DIMS IN	mm	