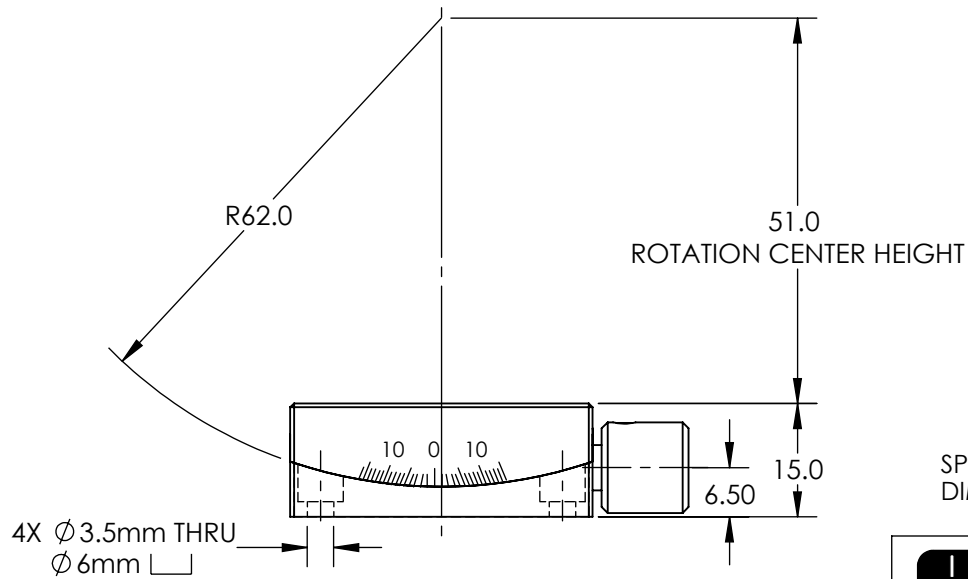
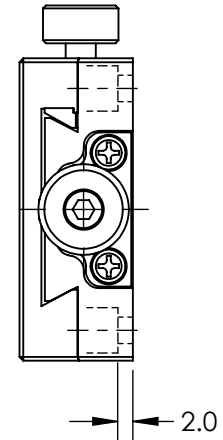
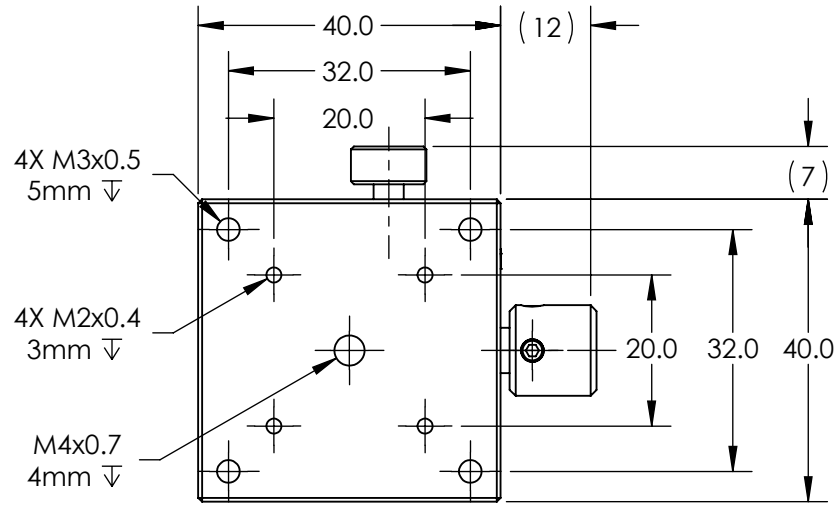


NOTES:

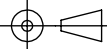
1. TRAVEL: $\pm 15^\circ$
2. INCLUDES ONE PACKAGE OF (4) M3x6mm LONG, FLAT POINT SET SCREWS FOR LOCKING



SPECIFICATIONS SUBJECT TO CHANGE WITHOUT NOTICE
DIMENSIONS ARE FOR REFERENCE ONLY

EO® Edmund Optics®

**FOR INFORMATION ONLY:
DO NOT MANUFACTURE
PARTS TO THIS DRAWING**

THIRD ANGLE PROJECTION 		TITLE	40MM GONIOMETER 30 DEGREE	
ALL DIMS IN	mm	DWG NO	55839	SHEET 1 OF 1