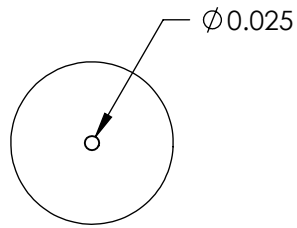
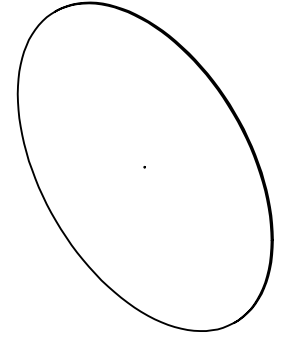
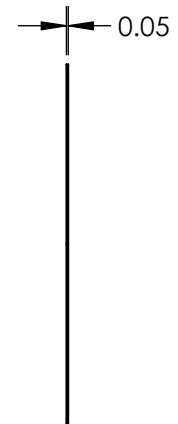
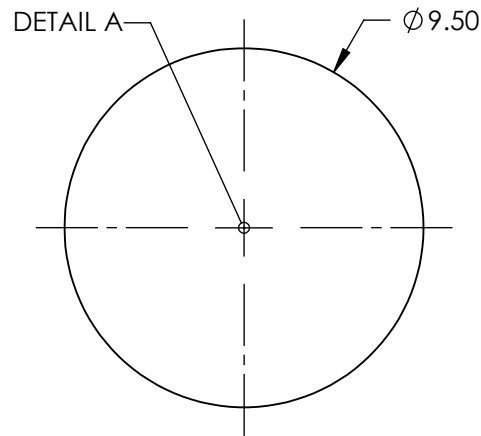


NOTES:

- 1. MATERIAL: TUNGSTEN
- 2. RoHS: COMPLIANT



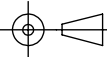
DETAIL A



SPECIFICATIONS SUBJECT TO CHANGE WITHOUT NOTICE
DIMENSIONS ARE FOR REFERENCE ONLY

**FOR INFORMATION ONLY:
DO NOT MANUFACTURE
PARTS TO THIS DRAWING**

EO® Edmund Optics®

THIRD ANGLE PROJECTION 		TITLE	25µm APERTURE DIAMETER, TUNGSTEN APERTURE	
ALL DIMS IN	mm	DWG NO	59259	SHEET 1 OF 1