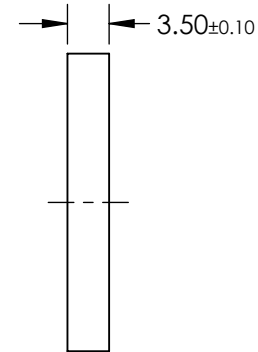
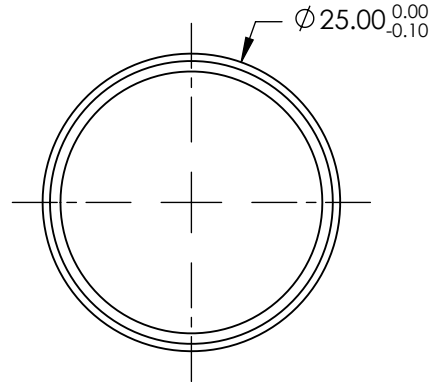
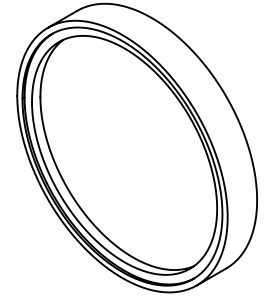


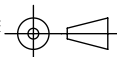
**FOR INFORMATION ONLY:  
DO NOT MANUFACTURE  
PARTS TO THIS DRAWING**



SUBSTRATE	Fused Silica
ANGLE OF INCIDENCE	0 ±2
BANDWIDTH (nm)	>400
CENTER WAVELENGTH CWL (nm)	355
OPTICAL DENSITY OD	≥6.0
SHAPE	PLANO
SURFACE QUALITY	60-40
TRANSMISSION (%)	93
EDGE STEEPNESS (nm)	1.8
TRANSITION WIDTH (nm)	<3.6
CLEAR APERTURE (%)	>80
DURABILITY	Environmental: MIL-STD-810F, Physical: MIL-C-48497A
RoHS	COMPLIANT

SPECIFICATIONS SUBJECT TO CHANGE WITHOUT NOTICE  
DIMENSIONS ARE FOR REFERENCE ONLY

**EO**® **Edmund Optics**®

THIRD ANGLE PROJECTION 

ALL DIMS IN mm

TITLE	25mm Dia., 355nm Laser Line Longpass Filter		
DWG NO	47499	SHEET	1 OF 1