

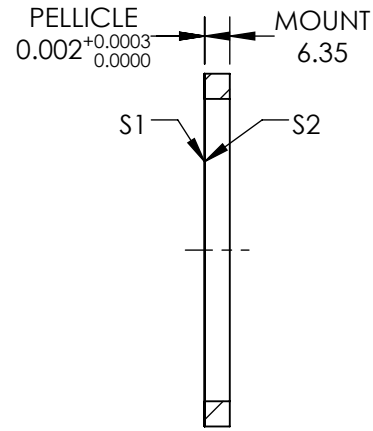
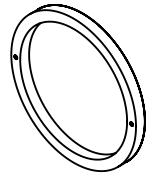
NOTES:

- SUBSTRATE MATERIAL:
NITROCELLULOSE
- COATING (APPLY ACROSS COATING APERTURE)

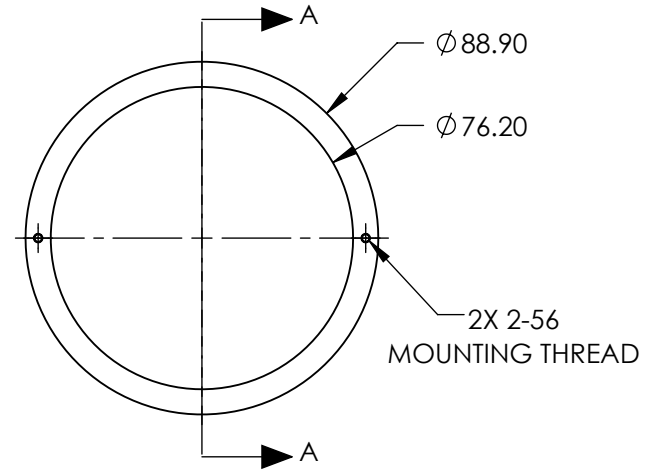
S1: METAL/DIELECTRIC
40% R @ 400 - 700nm @ 45° AOI
40% T @ 400 - 700nm @ 45° AOI
R/T TOLERANCE: ±3%

S2: NONE

- ROHS : EXEMPT



SECTION A-A



**FOR INFORMATION ONLY:
DO NOT MANUFACTURE
PARTS TO THIS DRAWING**

SPECIFICATIONS SUBJECT TO CHANGE WITHOUT NOTICE
DIMENSIONS ARE FOR REFERENCE ONLY

REV.A.	S1	S2
SHAPE	PLANO	PLANO
SURFACE QUALITY	40-20	40-20
CLEAR APERTURE	Ø76.20	Ø76.20
BEVEL	PROTECTIVE AS NEEDED	PROTECTIVE AS NEEDED

THIRD ANGLE PROJECTION

ALL DIMS IN mm

EO® Edmund Optics®

TITLE

BS PELLICLE 3in DIA 40R/40T

DWG NO

39487

SHEET
1 OF 1