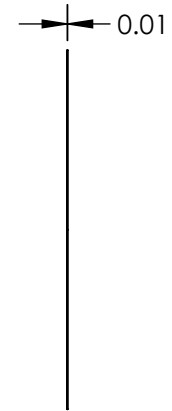
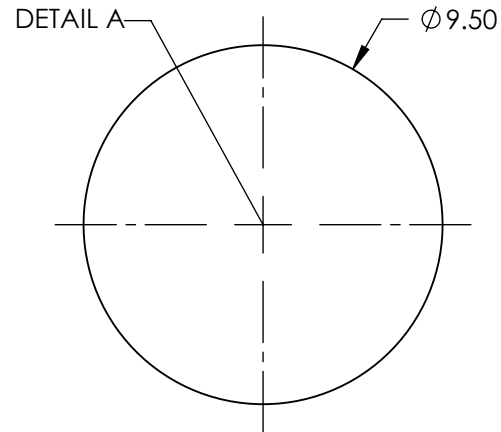
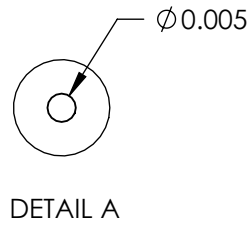
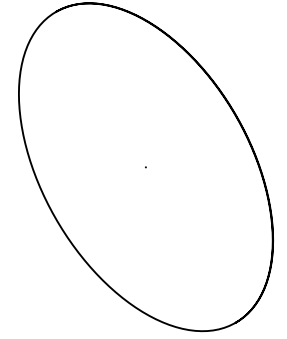


NOTES:

- 1. MATERIAL: STAINLESS STEEL
- 2. RoHS: COMPLIANT



SPECIFICATIONS SUBJECT TO CHANGE WITHOUT NOTICE
DIMENSIONS ARE FOR REFERENCE ONLY

EO[®] Edmund Optics[®]

**FOR INFORMATION ONLY:
DO NOT MANUFACTURE
PARTS TO THIS DRAWING**

| | | | | |
|------------------------|----|--------|--|-----------------|
| THIRD ANGLE PROJECTION | | TITLE | 5μm APERTURE DIAMETER, UNMOUNTED, PRECISION PINHOLE | |
| ALL DIMS IN | mm | DWG NO | 38537 | SHEET 1 OF 1 |