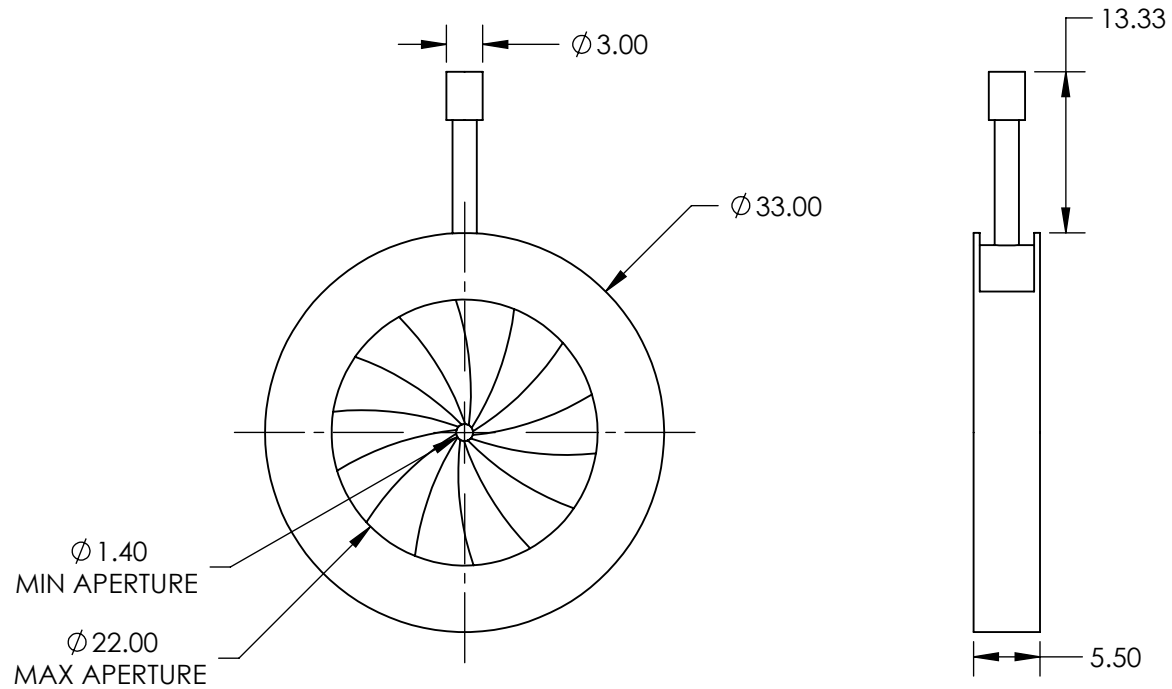


NOTES:

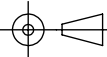
1. CONSTRUCTION:  
Brass Housing, Blue Tempered Steel Leaves
2. NUMBER OF LEAVES: 14
3. ROHS: COMPLIANT



SPECIFICATIONS SUBJECT TO CHANGE WITHOUT NOTICE  
DIMENSIONS ARE FOR REFERENCE ONLY

**FOR INFORMATION ONLY:  
DO NOT MANUFACTURE  
PARTS TO THIS DRAWING**

**EO**® Edmund Optics®

THIRD ANGLE PROJECTION 		TITLE	IRIS DIAPHRAGM 33.0mm DIA.	
ALL DIMS IN	mm	DWG NO	32620	SHEET 1 OF 1