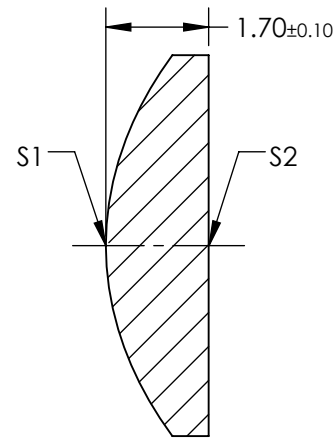
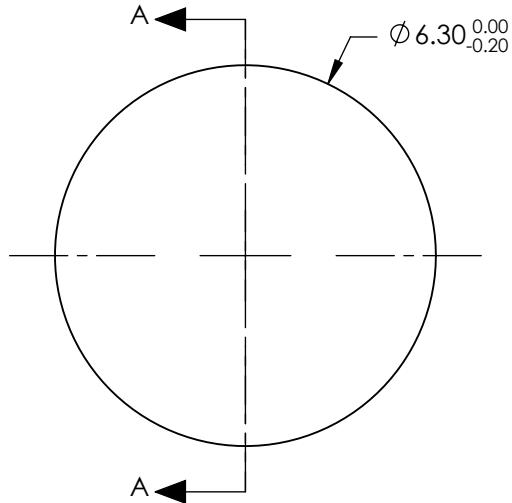


NOTES:

1. SUBSTRATE: LIBA2000
2. COATING:  
S1 & S2: ¼ WAVE MgF2 @ 550nm
3. FOCAL LENGTH TOLERANCE: ±5%
4. CENTERING: 25 ARCMIN
5. RoHS: COMPLIANT
6. ASPHERIC SURFACE DESCRIBED BY THE FOLLOWING EQUATION AND COEFFICIENTS SHOWN IN TABLE BELOW

$$Z_{ASPH}(Y) = \frac{(1/RADIUS) * Y^2}{1 + \sqrt{1 - (1+k) * (1/RADIUS)^2 * Y^2}} + D * Y^2 + E * Y^4 + F * Y^6 + G * Y^8 + H * Y^{10} + J * Y^{12} + L * Y^{14}$$

**FOR INFORMATION ONLY:  
DO NOT MANUFACTURE  
PARTS TO THIS DRAWING**


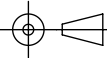


SECTION A-A

COEFFICIENT TABLE	
COEFFICIENT	S1
SEMI-DIAMETER	3.150000E+00
(1/RADIUS)	0.210833E+00
k	-0.980290E+00
D	0.000000E+00
E	0.000450E+00
F	5.970000E-06
G	0.000000E+00
H	0.000000E+00
J	0.000000E+00
L	0.000000E+00

SPECIFICATIONS SUBJECT TO CHANGE WITHOUT NOTICE  
DIMENSIONS ARE FOR REFERENCE ONLY

	S1	S2
SHAPE	CONVEX	PLANO
SURFACE QUALITY	80-50 (TYPICAL)	80-50 (TYPICAL)
CLEAR APERTURE	Ø5.04	Ø5.04
BEVEL	PROTECTIVE AS NEEDED	PROTECTIVE AS NEEDED

EFL: 9mm		 <b>Edmund Optics®</b>	
BFL: 7.88mm			
THIRD ANGLE PROJECTION		TITLE	6.3mm DIA. X 9mm FL, MgF2 MOLDED ASPHERIC CONDENSER LENS
ALL DIMS IN	mm	DWG NO	35033
			SHEET 1 OF 1