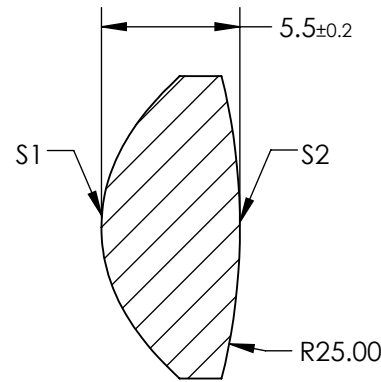
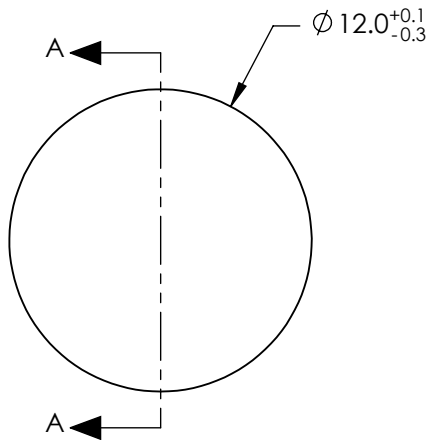


NOTES:

1. SUBSTRATE: LIBA2000+
2. COATING:
S1 & S2: R(AVG) ≤ 1.75% @ 400 - 700nm
3. FOCAL LENGTH TOLERANCE: ±7%
4. CENTERING: 30 ARCMIN
5. RoHS: COMPLIANT
6. ASPHERIC SURFACE DESCRIBED BY THE FOLLOWING EQUATION AND COEFFICIENTS SHOWN IN TABLE BELOW

$$Z_{ASPH}(Y) = \frac{(\frac{1}{RADIUS}) * Y^2}{1 + \sqrt{1 - (1+k) * (\frac{1}{RADIUS})^2 * Y^2}} + D * Y^2 + E * Y^4 + F * Y^6 + G * Y^8 + H * Y^{10} + J * Y^{12} + L * Y^{14}$$

**FOR INFORMATION ONLY:
DO NOT MANUFACTURE
PARTS TO THIS DRAWING**


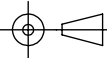


SECTION A-A

COEFFICIENT TABLE	
COEFFICIENT	S1
SEMI-DIAMETER	6.000000E+00
(1/RADIUS)	0.153681E+00
k	-0.520000E+00
D	0.000000E+00
E	0.000278E+00
F	-9.700000E-06
G	4.250000E-08
H	0.000000E+00
J	0.000000E+00
L	0.000000E+00

SPECIFICATIONS SUBJECT TO CHANGE WITHOUT NOTICE
DIMENSIONS ARE FOR REFERENCE ONLY

	S1	S2
SHAPE	CONVEX	CONVEX
SURFACE QUALITY	80-50 (TYPICAL)	80-50 (TYPICAL)
CLEAR APERTURE	Ø9.60	Ø9.60
BEVEL	PROTECTIVE AS NEEDED	PROTECTIVE AS NEEDED

EFL: 10.5mm		 Edmund Optics®	
BFL: 7.45mm			
 THIRD ANGLE PROJECTION		TITLE	12mm DIA. X 10.5mm FL, MgF2 MOLDED ASPHERIC CONDENSER LENS
ALL DIMS IN	mm	DWG NO	35041
			SHEET 1 OF 1