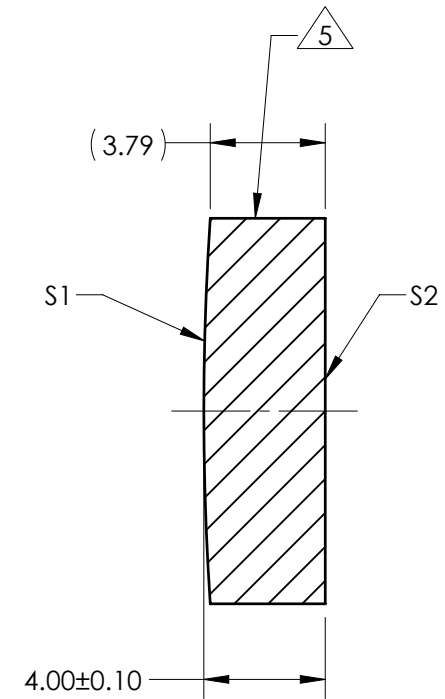
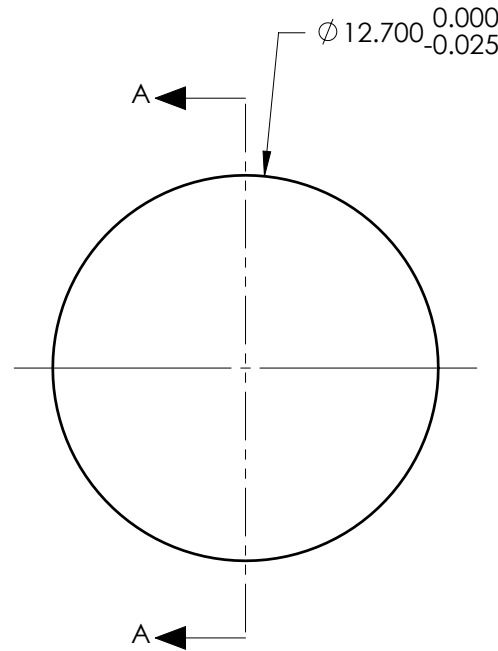


NOTES:

1. SUBSTRATE:  
Fused Silica 458/678
2. ROHS COMPLIANT
3. CENTERING TOLERANCE (AT 587.6nm):  
BEAM DEVIATION (HALF ANGLE): <1 ARCMIN
4. COATING (APPLY ACROSS COATING APERTURE)  
  
S1 & S2: 1064nm Laser AR Coating  
R(ABS) < 0.25% @ 1064nm @ 0° AOI  
  
DAMAGE THRESHOLD  
PULSED: 15J/cm<sup>2</sup> @ 20ns, 20Hz @ 1064nm

△ 5 FINE GRIND SURFACE

6. POWER, IRREGULARITY, AND SURFACE QUALITY SPECIFICATIONS APPLY ACROSS CLEAR APERTURE
7. FOCAL LENGTH (EFL): 200.00mm±1%  
BACK FOCAL LENGTH (BFL): 197.35mm
8. PROTECTIVE BEVEL AS NEEDED
9. DESIGN WAVELENGTH: 355nm



SECTION A-A

***FOR INFORMATION ONLY:  
DO NOT MANUFACTURE  
PARTS TO THIS DRAWING***

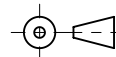
	S1	S2
SHAPE	CONVEX	PLANO
RADIUS	95.22	INFINITY
SURFACE QUALITY	10 - 5	10 - 5
MIN CLEAR APERTURE	Ø 11.70	Ø 11.70
MIN COATING APERTURE	Ø 11.70	Ø 11.70
POWER AT 632.8nm	2.00 RINGS	2.00 RINGS
IRREGULARITY AT 632.8nm	0.20 RINGS	0.20 RINGS

SPECIFICATIONS SUBJECT TO CHANGE WITHOUT NOTICE  
DIMENSIONS ARE FOR REFERENCE ONLY

**EO**® **Edmund Optics**®

12.7mm Dia x 200mm FL, 1064nm Laser AR Coating, 15J Coated, Plano-Convex Lens

THIRD ANGLE PROJECTION



ALL DIMS IN

mm

TITLE

DWG NO

38739

SHEET  
1 OF 1