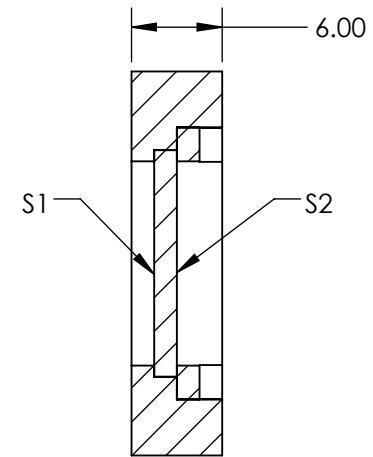
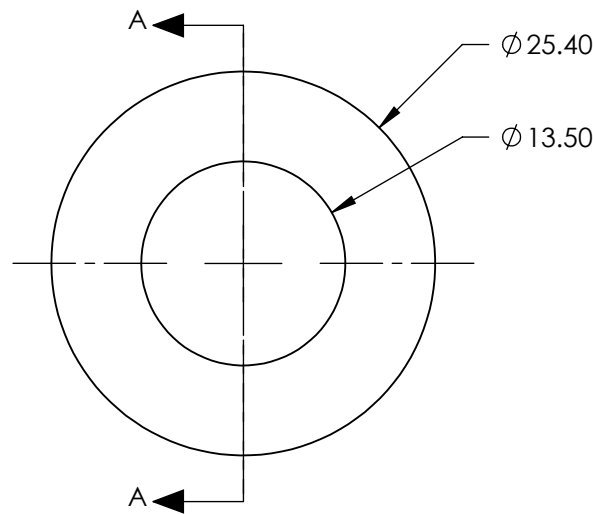


NOTES:

1. SUBSTRATE:  
MgF2
2. SURFACE S1 TO BE PARALLEL TO SURFACE S2 TO WITHIN <3 ARCMINS
3. RETARDANCE:  $\lambda/2 \pm \lambda/100$  @ 20°C
4. DESIGN WAVELENGTH: 3000nm
5. TRANSMITTED WAVEFRONT:  $<\lambda/8$  @ 632.8nm
6. CONSTRUCTION: Crystalline
7. ROHS: NOT COMPLIANT



SECTION A-A

SPECIFICATIONS SUBJECT TO CHANGE WITHOUT NOTICE  
DIMENSIONS ARE FOR REFERENCE ONLY

**FOR INFORMATION ONLY:  
DO NOT MANUFACTURE  
PARTS TO THIS DRAWING**

**EO**® Edmund Optics®

	S1	S2	THIRD ANGLE PROJECTION 		TITLE	3µm λ/2 MWIR Zero Order Waveplate	
CLEAR APERTURE	Ø10.0	Ø10.0	ALL DIMS IN	mm	DWG NO	85117	SHEET 1 OF 1