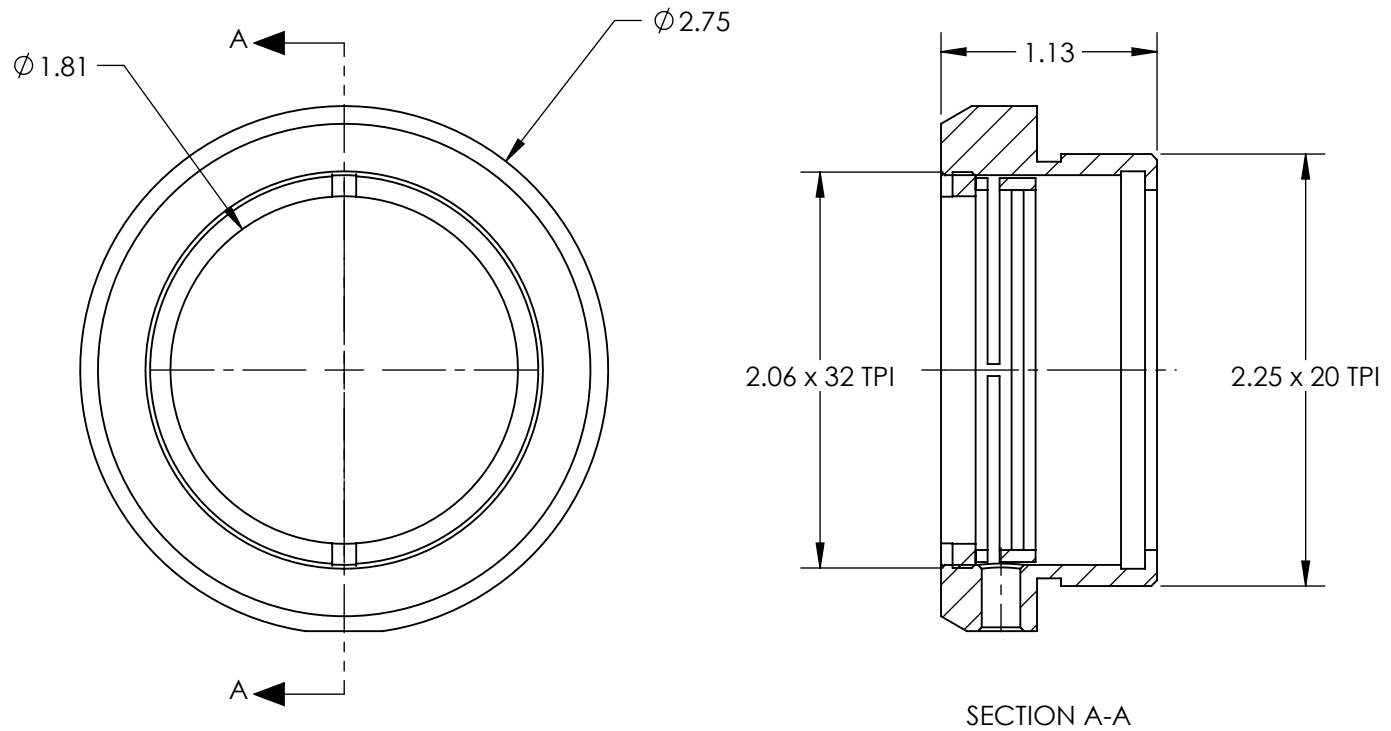


NOTES:

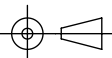
1. ROHS COMPLIANT



**FOR INFORMATION ONLY:
DO NOT MANUFACTURE
PARTS TO THIS DRAWING**

SPECIFICATIONS SUBJECT TO
CHANGE WITHOUT NOTICE
DIMENSIONS ARE FOR
REFERENCE ONLY

EO[®] Edmund Optics[®]

THIRD ANGLE PROJECTION 		TITLE	2.00" Diameter, Optical Cell Assemblies	
ALL DIMS IN	in	DWG NO	36465	SHEET 1 OF 1