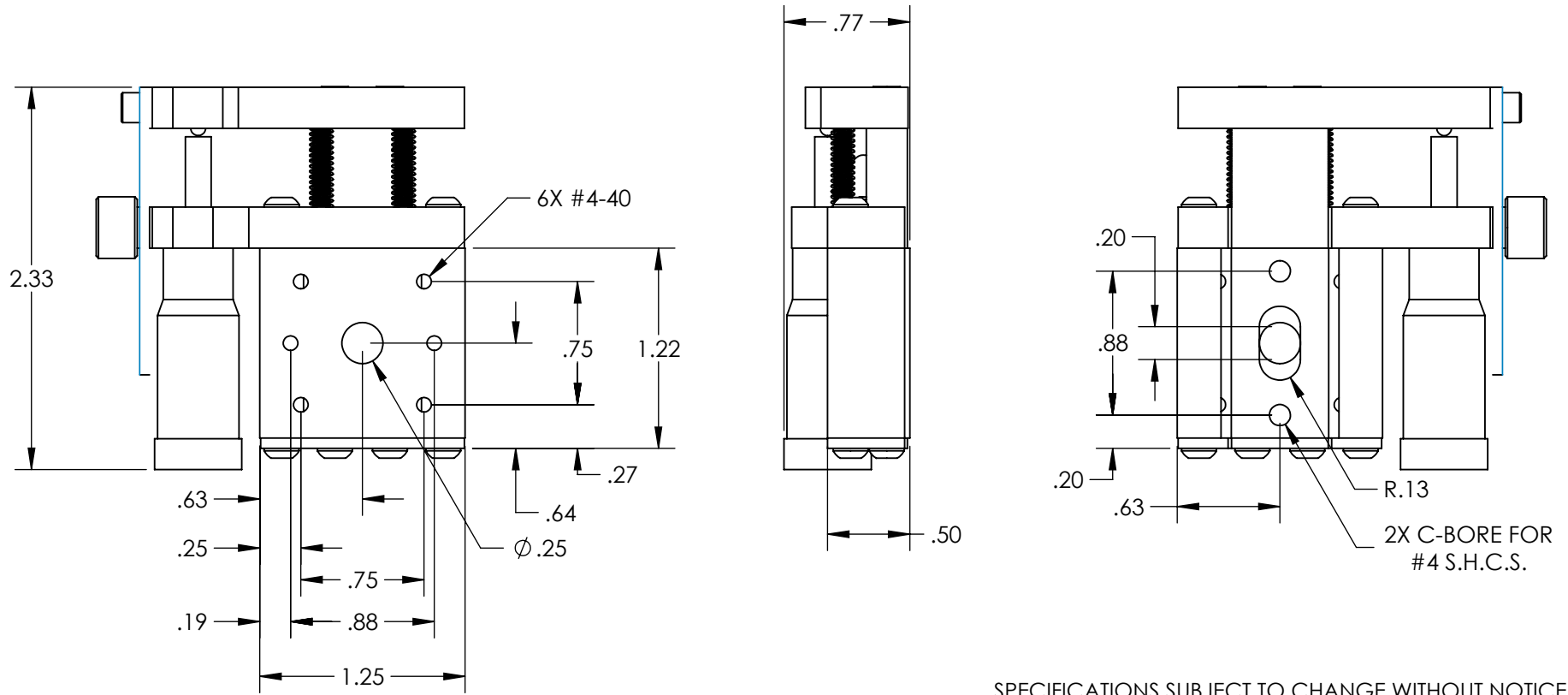


NOTES:

1. MATERIAL: STAINLESS STEEL AND BLACK ANODIZED ALUMINUM
2. MAX TRAVEL DISTANCE: 13mm
3. RoHS: EXEMPT



SPECIFICATIONS SUBJECT TO CHANGE WITHOUT NOTICE
DIMENSIONS ARE FOR REFERENCE ONLY

**FOR INFORMATION ONLY:
DO NOT MANUFACTURE
PARTS TO THIS DRAWING**

EO® Edmund Optics®

THIRD ANGLE PROJECTION		TITLE	13mm TRAVEL, METRIC MICROMETER, THRU-HOLE BALL BEARING STAGE	
ALL DIMS IN	in	DWG NO	37925	SHEET 1 OF 1