
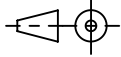
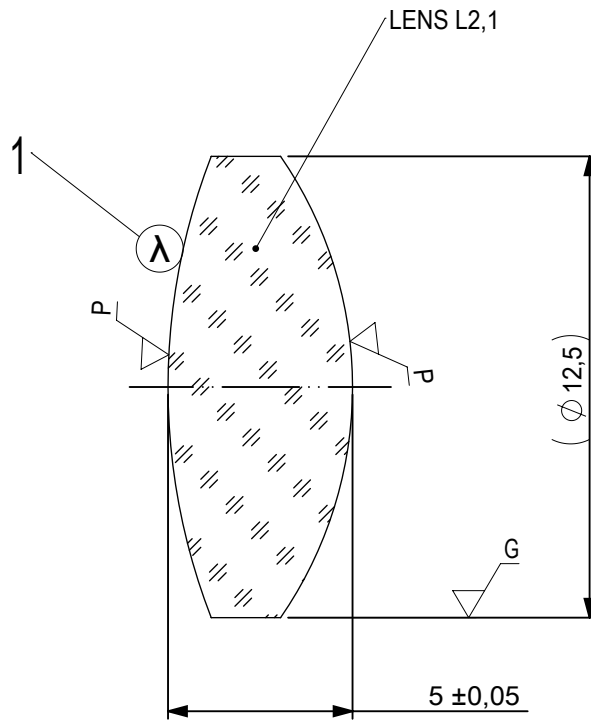


FOCAL LENGTH (EFL): $25 \pm 0,25$
 BACK FOCAL LENGTH (BFL): 21,47

SURFACE A	SURFACE B	SURFACE C
$\varnothing_e 11,5$	$\varnothing_e 11,5$	$\varnothing_e 11,5$
CEMENT: NOA 61 OR EQUIVALENT		

PROTECTIVE CHAMFERS AS NEEDED		FIRST ANGLE PROJECTION	 Edmund Optics®						
ROHS: COMPLIANT	SCALE: NONE $\lambda = 587,6\text{nm}$								
SPECIFICATIONS SUBJECT TO CHANGE WITHOUT NOTICE. DIMENSIONS ARE FOR REFERENCE ONLY			TITLE	12,5mm Dia, x 25mm FL, MgF2 Coated, Achromatic Doublet Lens					
FOR INFORMATION ONLY: DO NOT MANUFACTURE PARTS TO THIS DRAWING			ALL DIMS IN:	mm	DWG NO	32311	SHEET SIZE	A4	SHEET
INDICATIONS IN ACCORDANCE WITH ISO 10110									

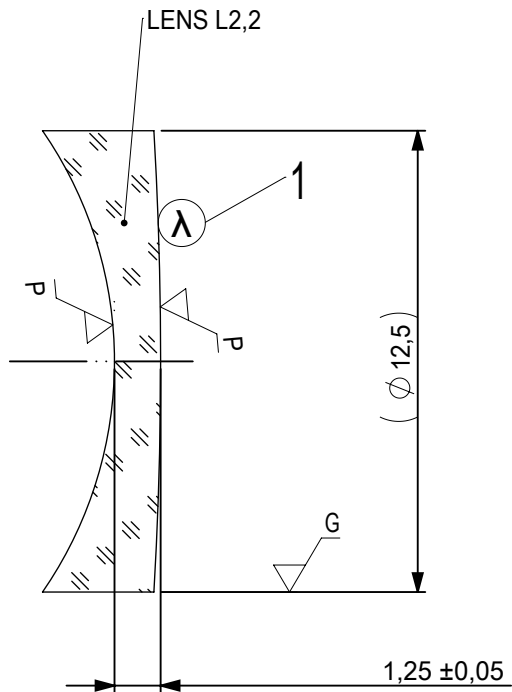


1 AR COATING:

¼ WAVE MgF2 @ 550nm
 R(AVG) < 1,75% FROM 400-700nm (N-BK7)

LEFT SURFACE	MATERIAL	RIGHT SURFACE
R 17,27±0,017 CX Øe 11,5 3/ 3 (0,5) λ=632,8 nm 4/ - 5/ 40 - 20 (MIL-PRF-13830B) 6/ -	GLASS N-BaF10 670/472	R 10,99±0,011 CX Øe 11,5 3/ 3 (0,5) λ=632,8 nm 4/ - 5/ 40 - 20 (MIL-PRF-13830B) 6/ -

PROTECTIVE CHAMFERS AS NEEDED		FIRST ANGLE PROJECTION			
ROHS: COMPLIANT	SCALE: NONE λ = 587,6nm				
SPECIFICATIONS SUBJECT TO CHANGE WITHOUT NOTICE. DIMENSIONS ARE FOR REFERENCE ONLY			TITLE	12,5mm Dia, x 25mm FL, MgF2 Coated, Achromatic Doublet Lens	
FOR INFORMATION ONLY: DO NOT MANUFACTURE PARTS TO THIS DRAWING			ALL DIMS IN: mm	DWG NO	32311
INDICATIONS IN ACCORDANCE WITH ISO 10110					SHEET 2 OF 3



1 AR COATING:

1/4 WAVE MgF2 @ 550nm
 R(AVG) < 1,75% FROM 400-700nm (N-BK7)

LEFT SURFACE	MATERIAL	RIGHT SURFACE
R 10,99±0,011 CV Øe 11,5 3/ 3 (0,5) λ=632,8 nm 4/ - 5/ 40 - 20 (MIL-PRF-13830B) 6/ -	GLASS N-SF10 728/284	R 107,03±0,107 CX Øe 11,5 3/ 3 (0,5) λ=632,8 nm 4/ - 5/ 40 - 20 (MIL-PRF-13830B) 6/ -

PROTECTIVE CHAMFERS AS NEEDED		FIRST ANGLE PROJECTION	Edmund Optics®				
ROHS: COMPLIANT	SCALE: NONE λ = 587,6nm						
SPECIFICATIONS SUBJECT TO CHANGE WITHOUT NOTICE. DIMENSIONS ARE FOR REFERENCE ONLY			TITLE	12,5mm Dia, x 25mm FL, MgF2 Coated, Achromatic Doublet Lens			
FOR INFORMATION ONLY: DO NOT MANUFACTURE PARTS TO THIS DRAWING			ALL DIMS IN:	mm	DWG NO	32311	
INDICATIONS IN ACCORDANCE WITH ISO 10110				SHEET SIZE	A4	SHEET	3 OF 3