
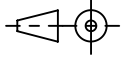
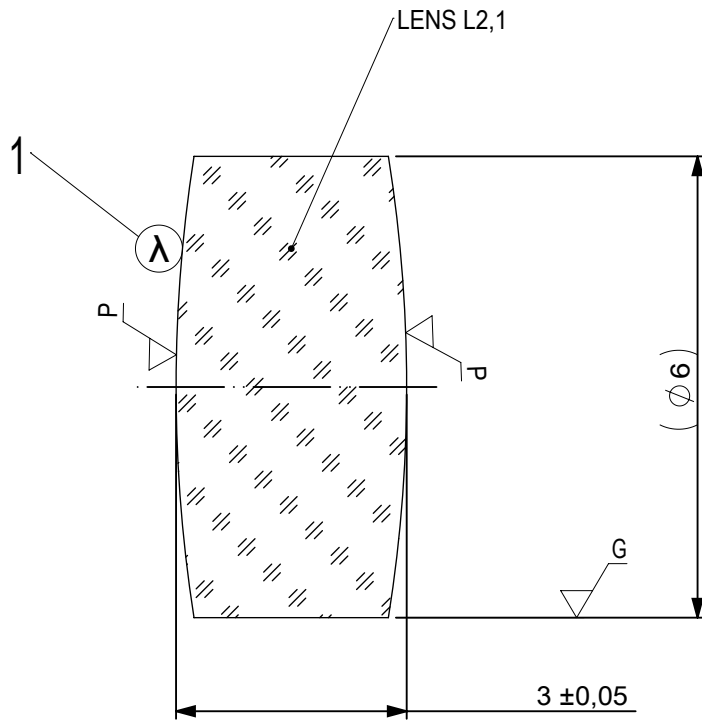


FOCAL LENGTH (EFL): $35 \pm 0,35$
 BACK FOCAL LENGTH (BFL): 32,22

SURFACE A	SURFACE B	SURFACE C
$\varnothing e 5,4$	$\varnothing e 5,4$	$\varnothing e 5,4$
CEMENT: NOA 61 OR EQUIVALENT		

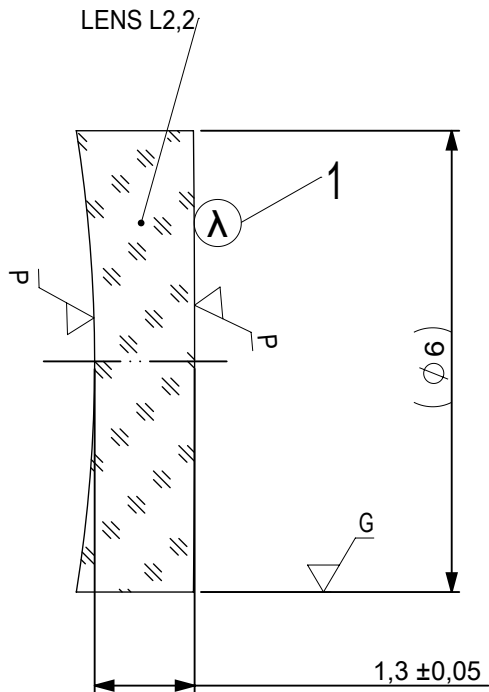
PROTECTIVE CHAMFERS AS NEEDED		FIRST ANGLE PROJECTION	 Edmund Optics[®]				
ROHS: COMPLIANT	SCALE: NONE $\lambda = 880\text{nm}$						
SPECIFICATIONS SUBJECT TO CHANGE WITHOUT NOTICE. DIMENSIONS ARE FOR REFERENCE ONLY			TITLE	6mm Dia, x 35mm FL, NIR II Coated, Achromatic Lens			
FOR INFORMATION ONLY: DO NOT MANUFACTURE PARTS TO THIS DRAWING			ALL DIMS IN:	mm	DWG NO	45789	
INDICATIONS IN ACCORDANCE WITH ISO 10110				SHEET SIZE	A4	SHEET	1 OF 3



- 1 AR COATING: NIR II
 R(ABS) ≤ 1,5% FROM 750-800nm @ 0° AOI
 R(ABS) ≤ 1,0% FROM 800-1550nm @ 0° AOI
 R(AVG) ≤ 0,7% FROM 750-1550nm @ 0° AOI


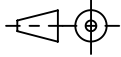
LEFT SURFACE	MATERIAL	RIGHT SURFACE
R 19,39±0,019 CX	GLASS N-LaK22 651/559	R 19±0,019 CX
Øe 5,4		Øe 5,4
3/ 3 (0,5) λ=632,8 nm		3/ 3 (0,5) λ=632,8 nm
4/ -		4/ -
5/ 40 - 20 (MIL-PRF-13830B)		5/ 40 - 20 (MIL-PRF-13830B)
6/ -		6/ -

PROTECTIVE CHAMFERS AS NEEDED		FIRST ANGLE PROJECTION	Edmund Optics®	
ROHS: COMPLIANT	SCALE: NONE λ = 880nm			
SPECIFICATIONS SUBJECT TO CHANGE WITHOUT NOTICE. DIMENSIONS ARE FOR REFERENCE ONLY			TITLE	6mm Dia, x 35mm FL, NIR II Coated, Achromatic Lens
FOR INFORMATION ONLY: DO NOT MANUFACTURE PARTS TO THIS DRAWING			ALL DIMS IN: mm	DWG NO
INDICATIONS IN ACCORDANCE WITH ISO 10110			SHEET SIZE	A4
				SHEET 2 OF 3



- 1 AR COATING: NIR II
 R(ABS) ≤ 1,5% FROM 750-800nm @ 0° AOI
 R(ABS) ≤ 1,0% FROM 800-1550nm @ 0° AOI
 R(AVG) ≤ 0,7% FROM 750-1550nm @ 0° AOI

LEFT SURFACE	MATERIAL	RIGHT SURFACE
R 19±0,019 CV Øe 5,4 3/ 3 (0,5) λ=632,8 nm 4/ - 5/ 40 - 20 (MIL-PRF-13830B) 6/ -	GLASS N-SF6 805/254	R 297,39±0,297 CX Øe 5,4 3/ 3 (0,5) λ=632,8 nm 4/ - 5/ 40 - 20 (MIL-PRF-13830B) 6/ -

PROTECTIVE CHAMFERS AS NEEDED		FIRST ANGLE PROJECTION	 Edmund Optics®		
ROHS: COMPLIANT	SCALE: NONE λ = 880nm				
SPECIFICATIONS SUBJECT TO CHANGE WITHOUT NOTICE. DIMENSIONS ARE FOR REFERENCE ONLY			TITLE	6mm Dia, x 35mm FL, NIR II Coated, Achromatic Lens	
FOR INFORMATION ONLY: DO NOT MANUFACTURE PARTS TO THIS DRAWING			ALL DIMS IN: mm	DWG NO	45789
INDICATIONS IN ACCORDANCE WITH ISO 10110				SHEET SIZE	SHEET 3 OF 3