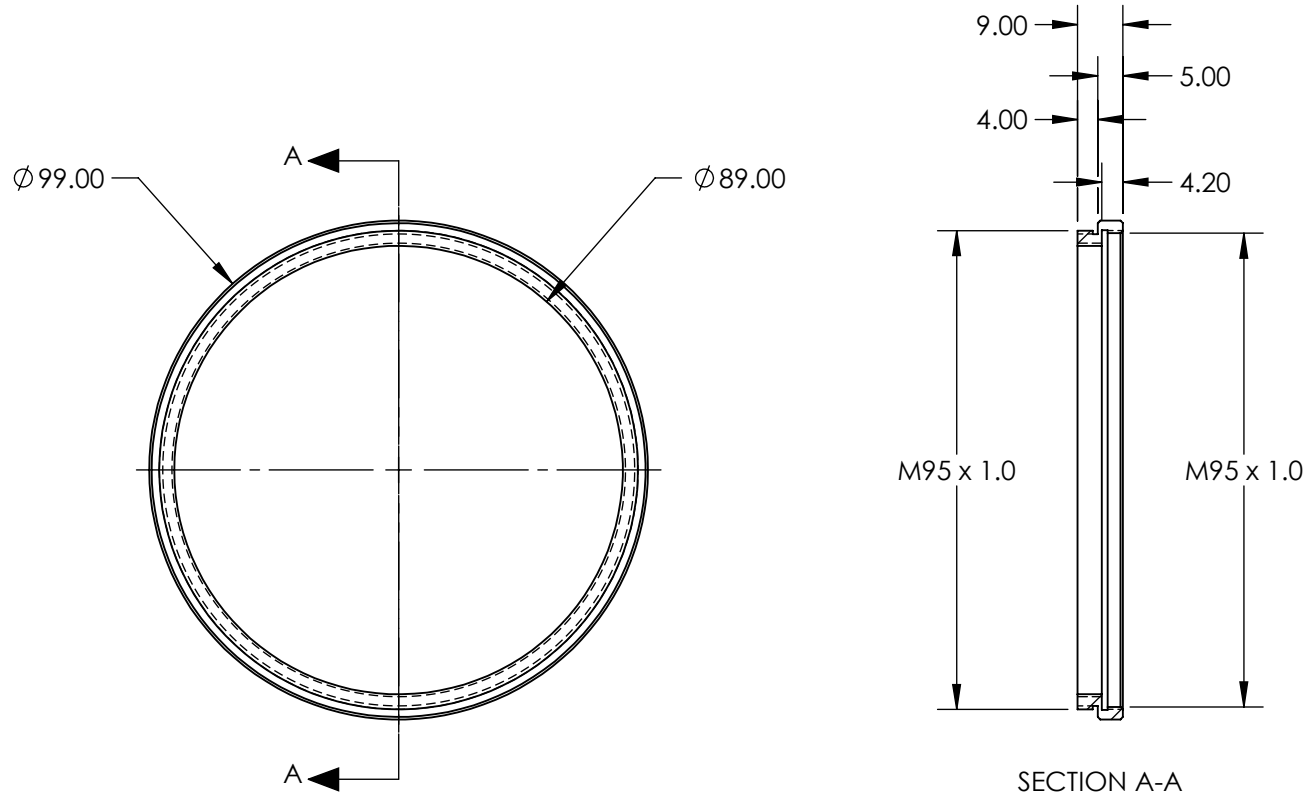


NOTES:

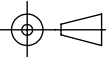
1. MATERIAL: BLACK ANODIZED ALUMINUM
2. RoHS: COMPLIANT



SPECIFICATIONS SUBJECT TO CHANGE WITHOUT NOTICE
 DIMENSIONS ARE FOR REFERENCE ONLY

**FOR INFORMATION ONLY:
 DO NOT MANUFACTURE
 PARTS TO THIS DRAWING**

EO® **Edmund Optics**®

THIRD ANGLE PROJECTION 	TITLE	5mm M95 x 1mm EXTENSION TUBE	
	ALL DIMS IN	mm	DWG NO 13967
			SHEET 1 OF 1