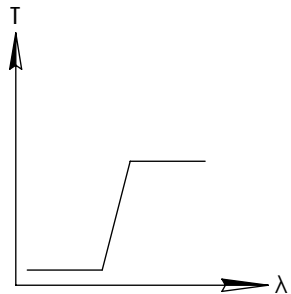
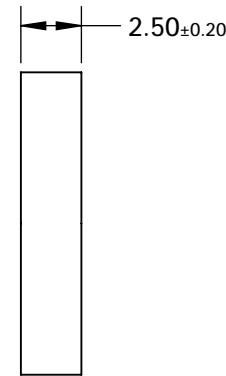
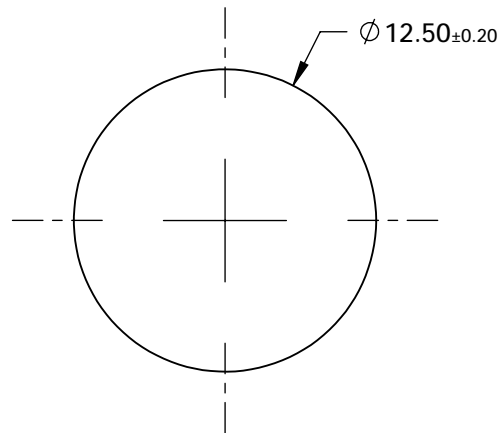
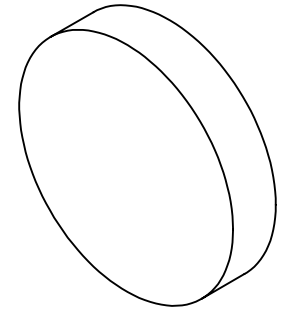


NOTES:

- SUBSTRATE: Hoya L39



LONGPASS FILTER

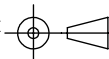
**FOR INFORMATION ONLY:  
DO NOT MANUFACTURE  
PARTS TO THIS DRAWING**

SPECIFICATIONS SUBJECT TO CHANGE WITHOUT NOTICE  
DIMENSIONS ARE FOR REFERENCE ONLY

	VALUE
SHAPE	PLANO
$\Delta\lambda$	<40
TH (%)	>85
CUT-ON WAVELENGTH (nm)	390±5
SURFACE QUALITY	60-40
WAVELENGTH	UV
BEVEL	PROTECTIVE AS NEEDED

**EO**® Edmund Optics®

THIRD ANGLE  
PROJECTION



TITLE

Hoya L39 (390nm), 12.5mm Dia., 2.5mm Thick,  
Colored Glass Longpass Filter

ALL DIMS IN

mm

DWG NO

18840

SHEET  
1 OF 1