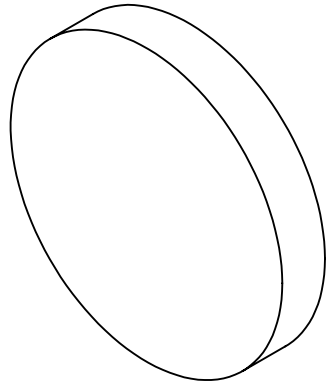
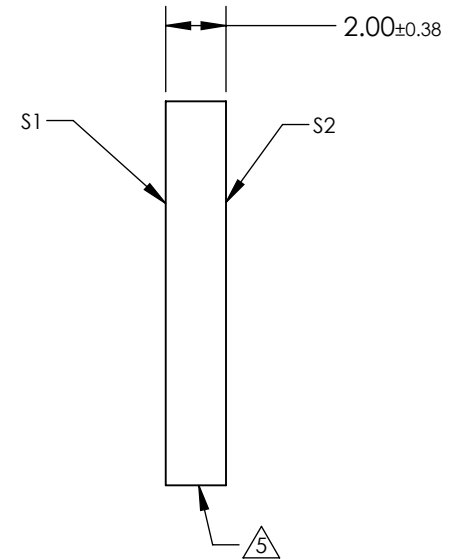
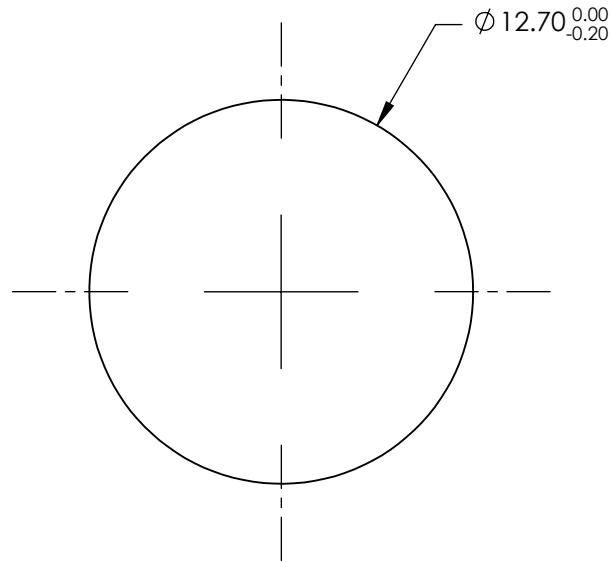


NOTES:

1. SUBSTRATE: Fused Silica (Corning 7980)
2. RoHS COMPLIANT
3. SURFACE S2 TO BE PARALLEL WITH SURFACE S 1 TO WITHIN ACRMINS
4. Coating (Apply Across Clear Aperture):
 S1 & S2: Rabs $\leq 1.0\%$ @ 250 - 425nm
 Ravg $\leq 0.75\%$ @ 250 - 425nm
 Ravg $\leq 0.5\%$ @ 370 - 420nm



 FINE GROUND SURFACE



**FOR INFORMATION ONLY:
DO NOT MANUFACTURE
PARTS TO THIS DRAWING**

SPECIFICATIONS SUBJECT TO CHANGE WITHOUT NOTICE
DIMENSIONS ARE FOR REFERENCE ONLY

	S1	S2
Shape	Plano	Plano
Surface Accuracy	1λ	1λ
Surface Quality	60-40	60-40
Clear Aperture	11.43	11.43
Bevel	Protected as Needed	Protected as Needed

THIRD ANGLE PROJECTION 

ALL DIMS IN mm

 **Edmund Optics®**

TITLE

12.7mm Dia. 2mm Thick UV-AR Coated, 1λ
Fused Silica Window

DWG NO

25252

SHEET
9 OF 101